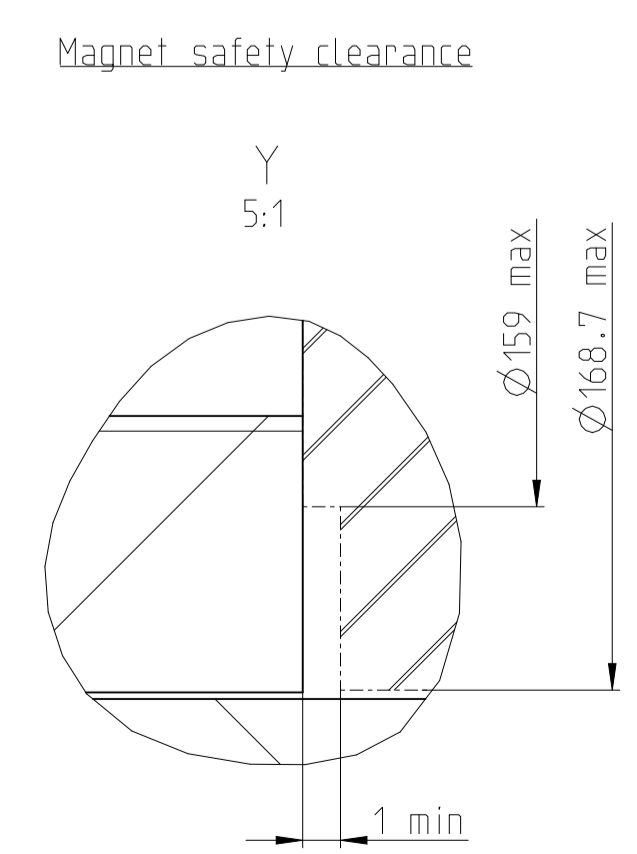
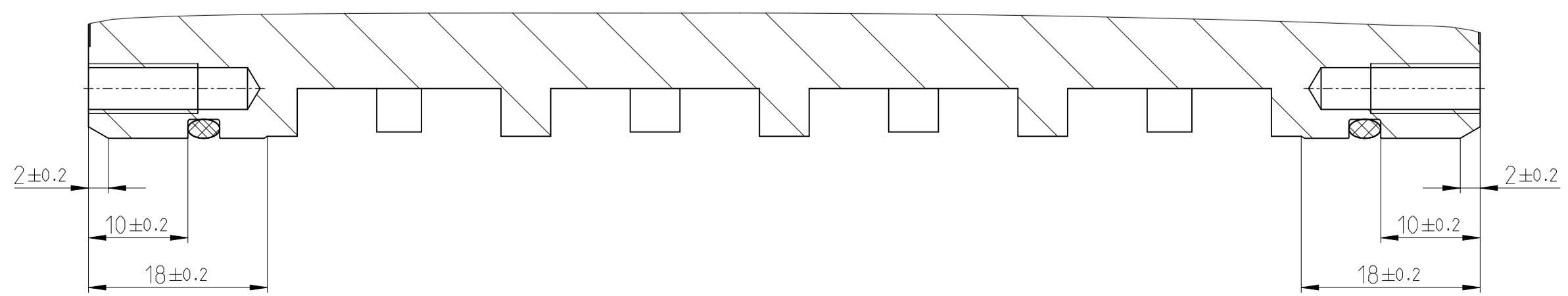
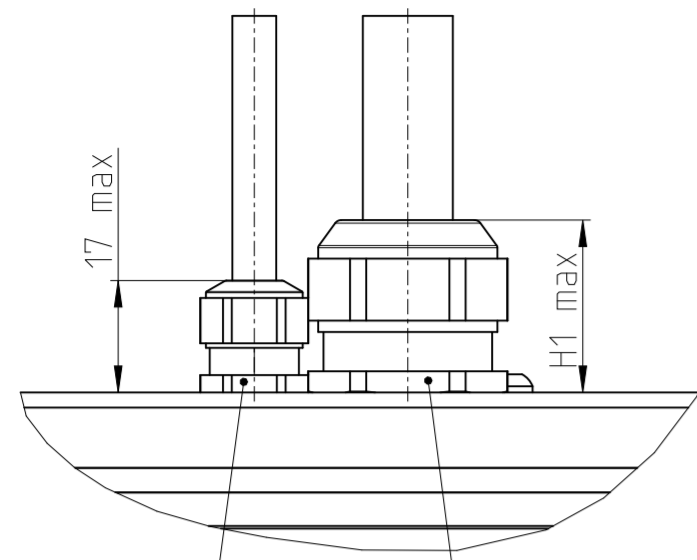


| Designation | L1 | L2 | L3 | L4 | N1 | N2 | β |
|--------------|-----|-----|----|-----|----|----|-----|
| TMB+0210-030 | 70 | 45 | 10 | 31 | 12 | 12 | 30° |
| TMB+0210-050 | 90 | 65 | | 51 | | | |
| TMB+0210-070 | 110 | 85 | 15 | 71 | 24 | 23 | 15° |
| TMB+0210-100 | 140 | 115 | | 101 | | | |
| TMB+0210-150 | 190 | 165 | | 151 | | | |
| TMB+0210-200 | 240 | 215 | | 202 | | | |

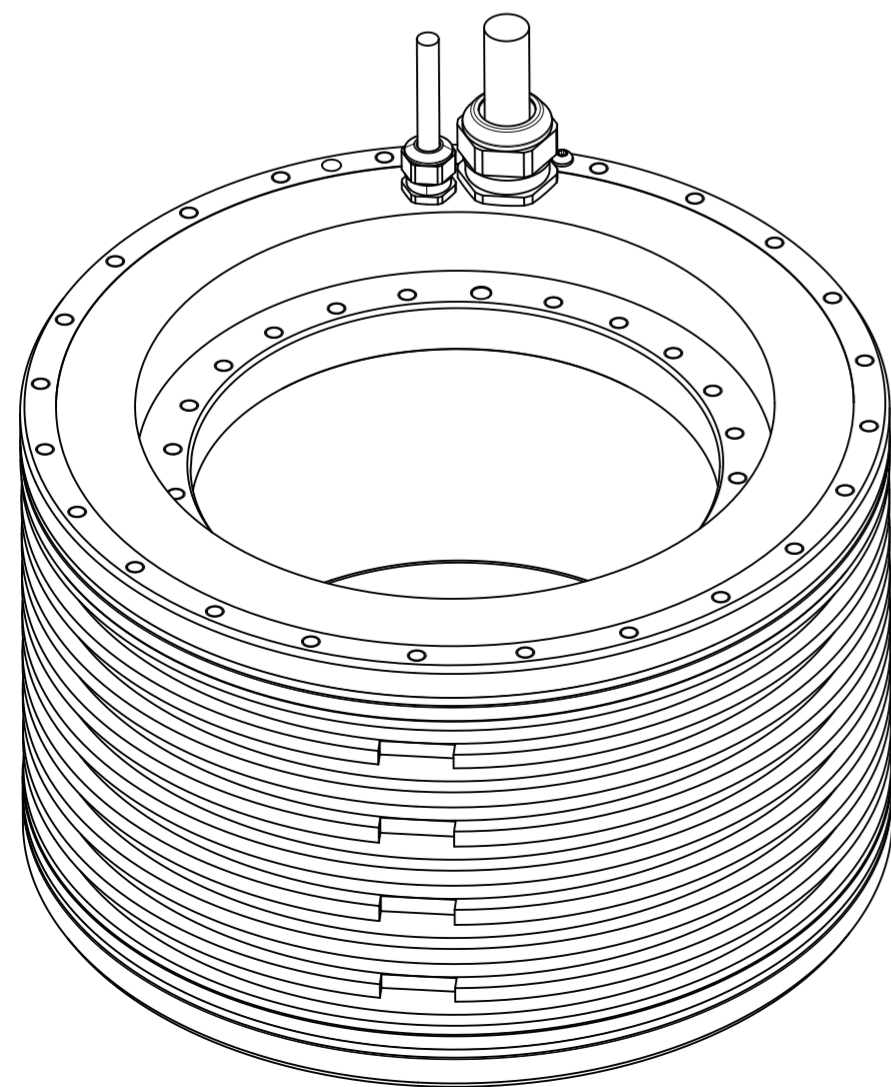
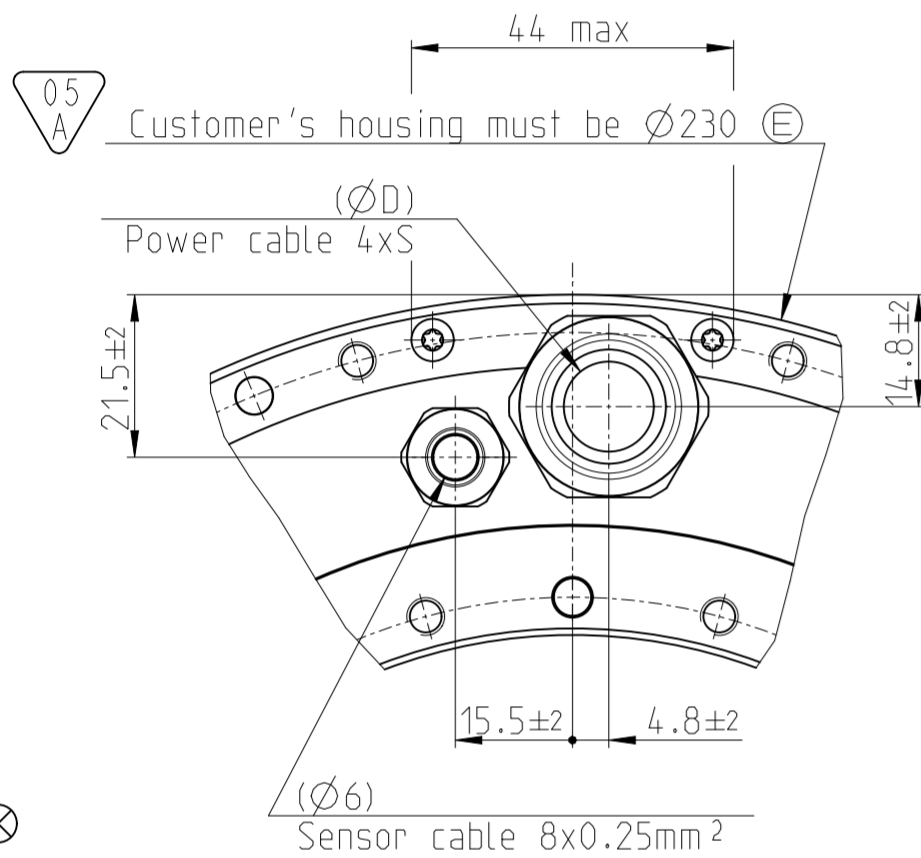


| | | | |
|----------------------------------------------------------------------------------------------------------------------------------------------------------------------------------------------------------------------------------------------------------------------------------------------------------------------------------|--|-----------------------------------------------------------------------|------------|
| Text: | | ID number: | |
| Original drawing | | Change No.: | C075986-32 |
| Scale | | Released: | 09.12.2021 |
| 1:1 A1 | | Tolerances as per ISO 8015 : 2011 Tolérances selon ISO 8015 : 2011 | |
| Dimensions in mm | | Dimensions without tolerance Dimensions sans tolérances ± 0.2 | |
| The reproduction, distribution and utilization of this document as well as the communication of its contents to others without express authorization is prohibited. Offenders will be held liable for the payment of damages. All rights reserved in the event of the grant of a patent, utility model or design. (ISO 18015) | | | |
| ETEL | | ETEL S.A. 2112 Möllers SWITZERLAND | |
| Version / Revision / Sheet / Page | | 1175577-05-A-01 1 of 2 | |

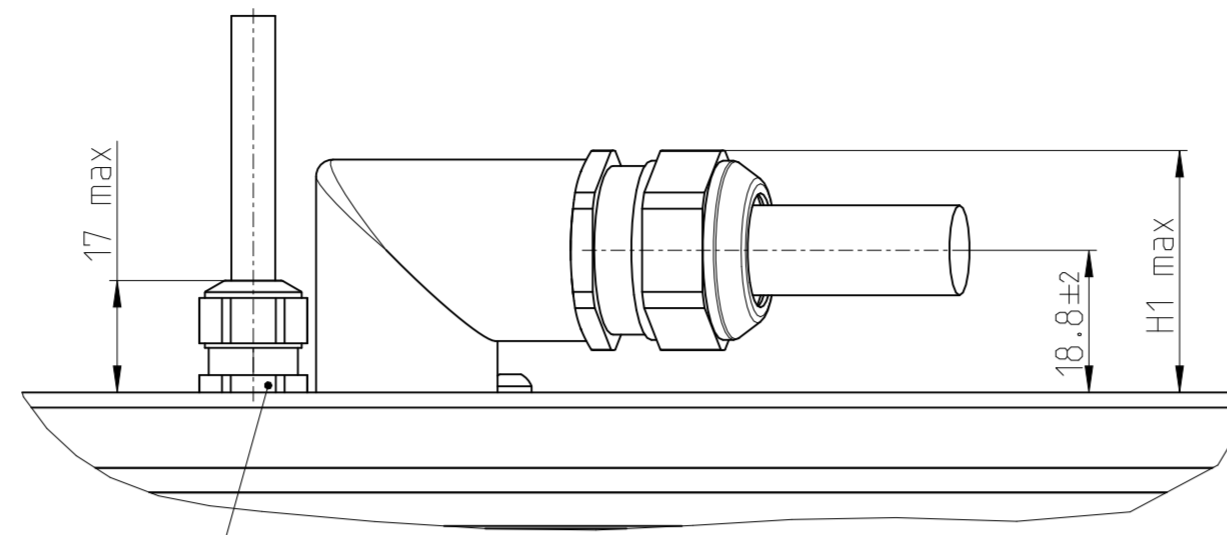
Type 1



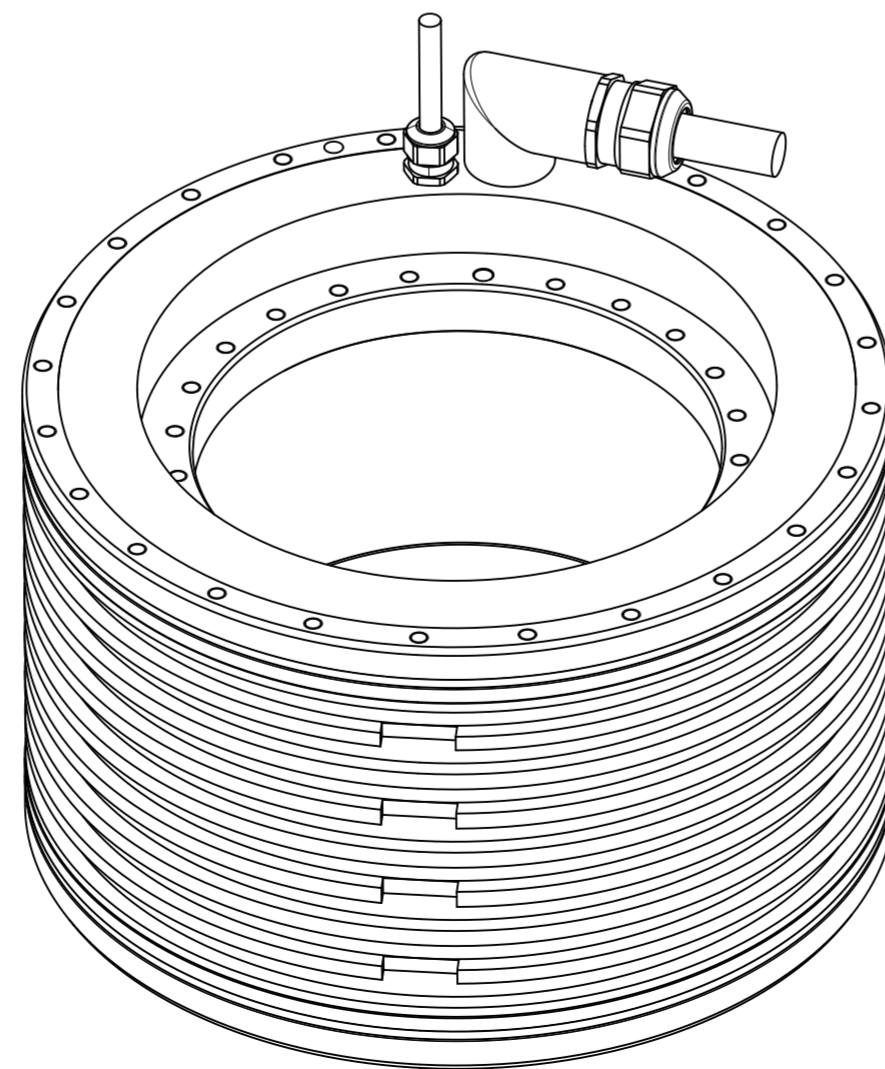
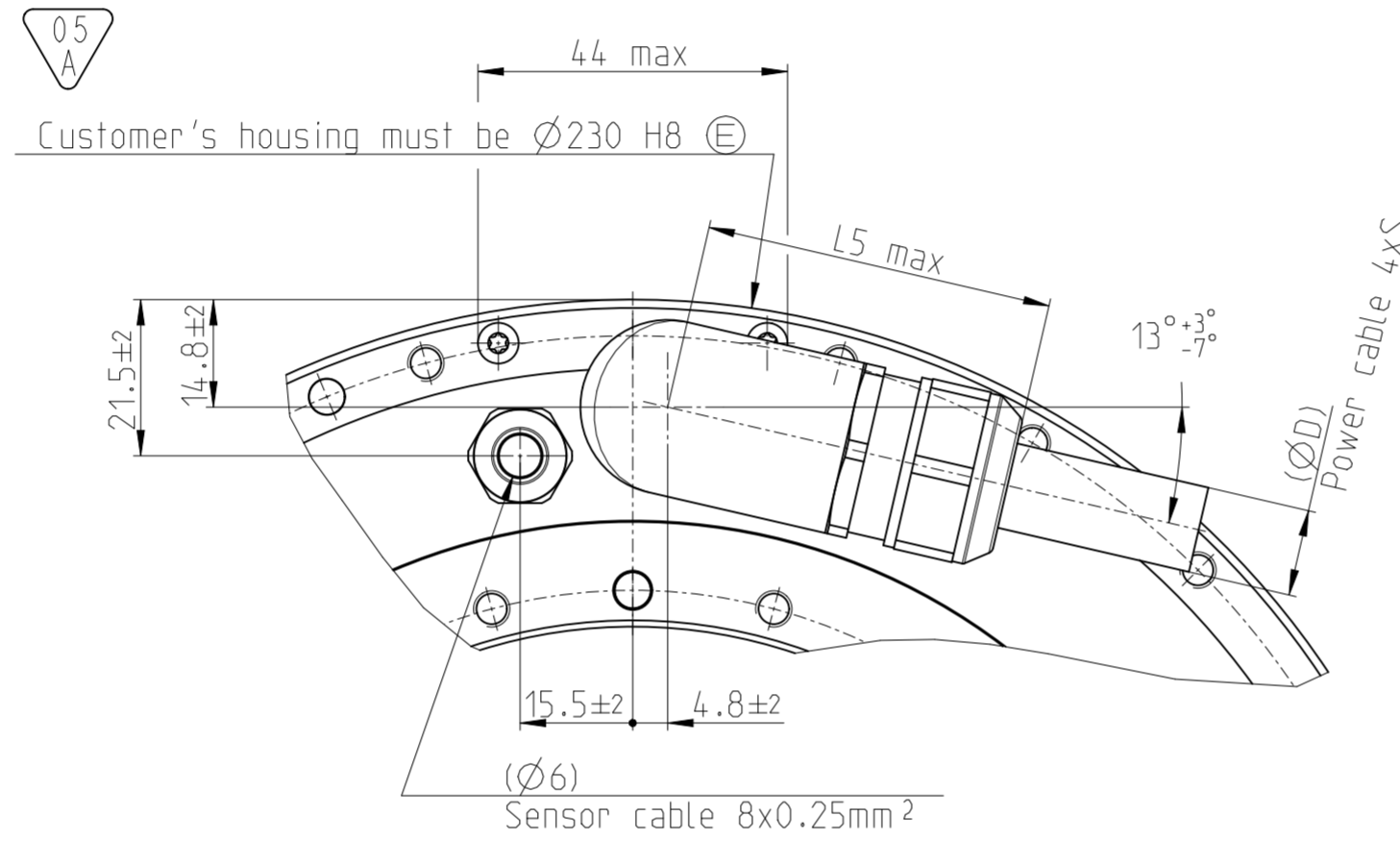
Wrench size: 13mm Wrench size: SWmm



Type 2

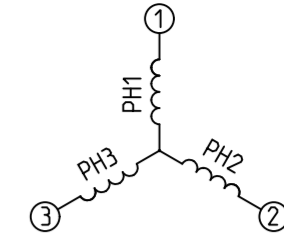


Wrench size: 13mm

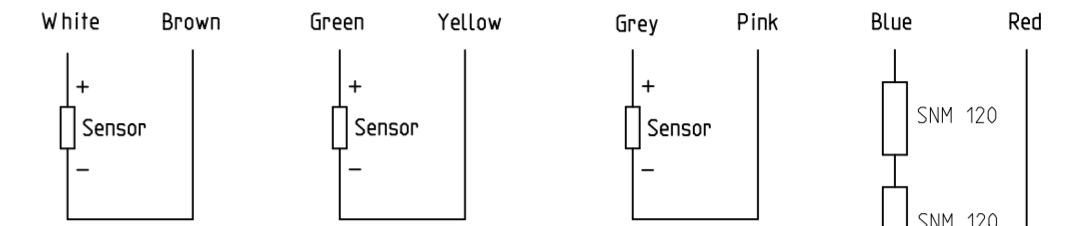


Power cable connection

Phase 1 = wire 1
Phase 2 = wire 2
Phase 3 = wire 3
PE = yellow/green wire



Sensor cable connection: "P" or "T" configuration



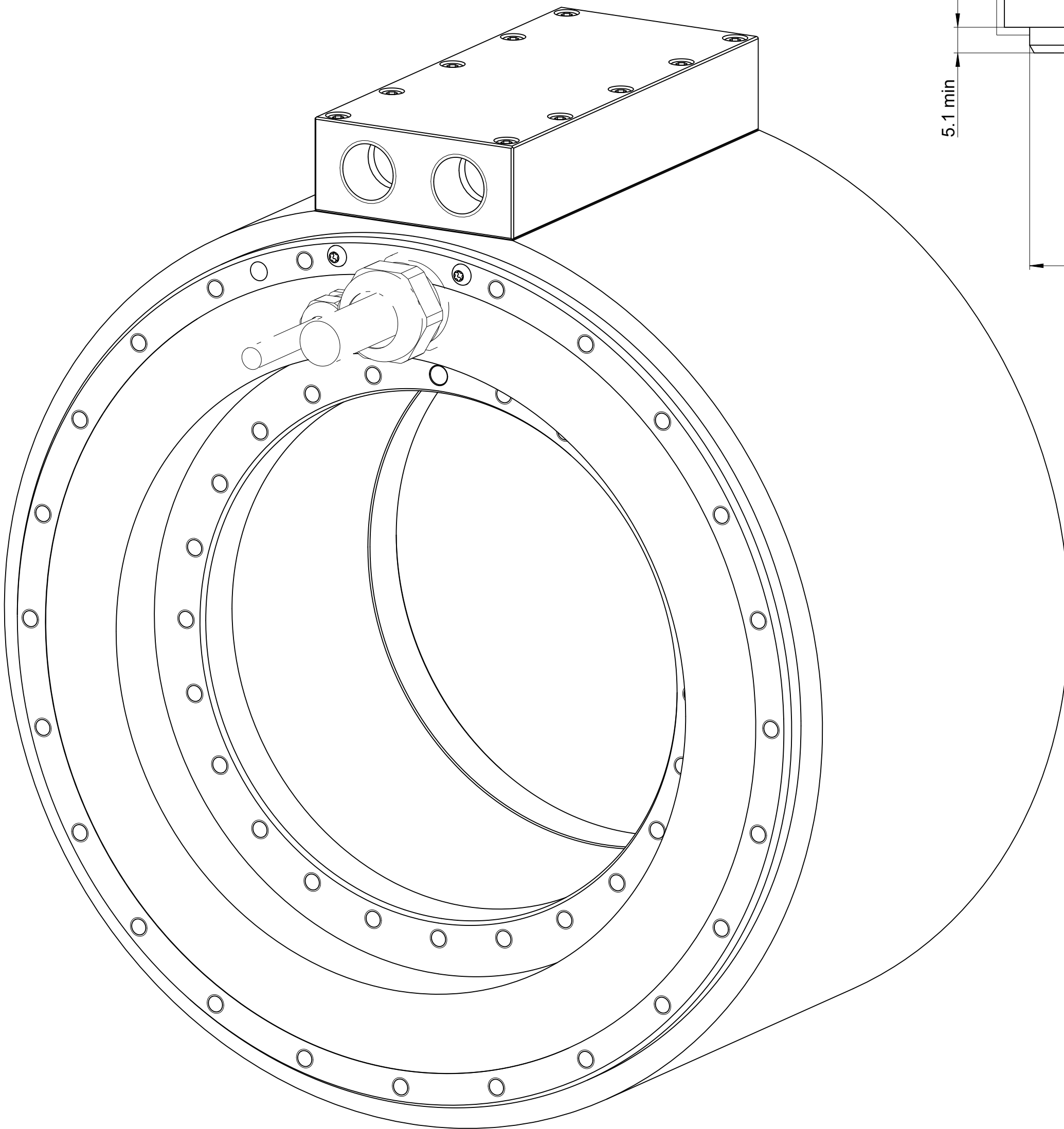
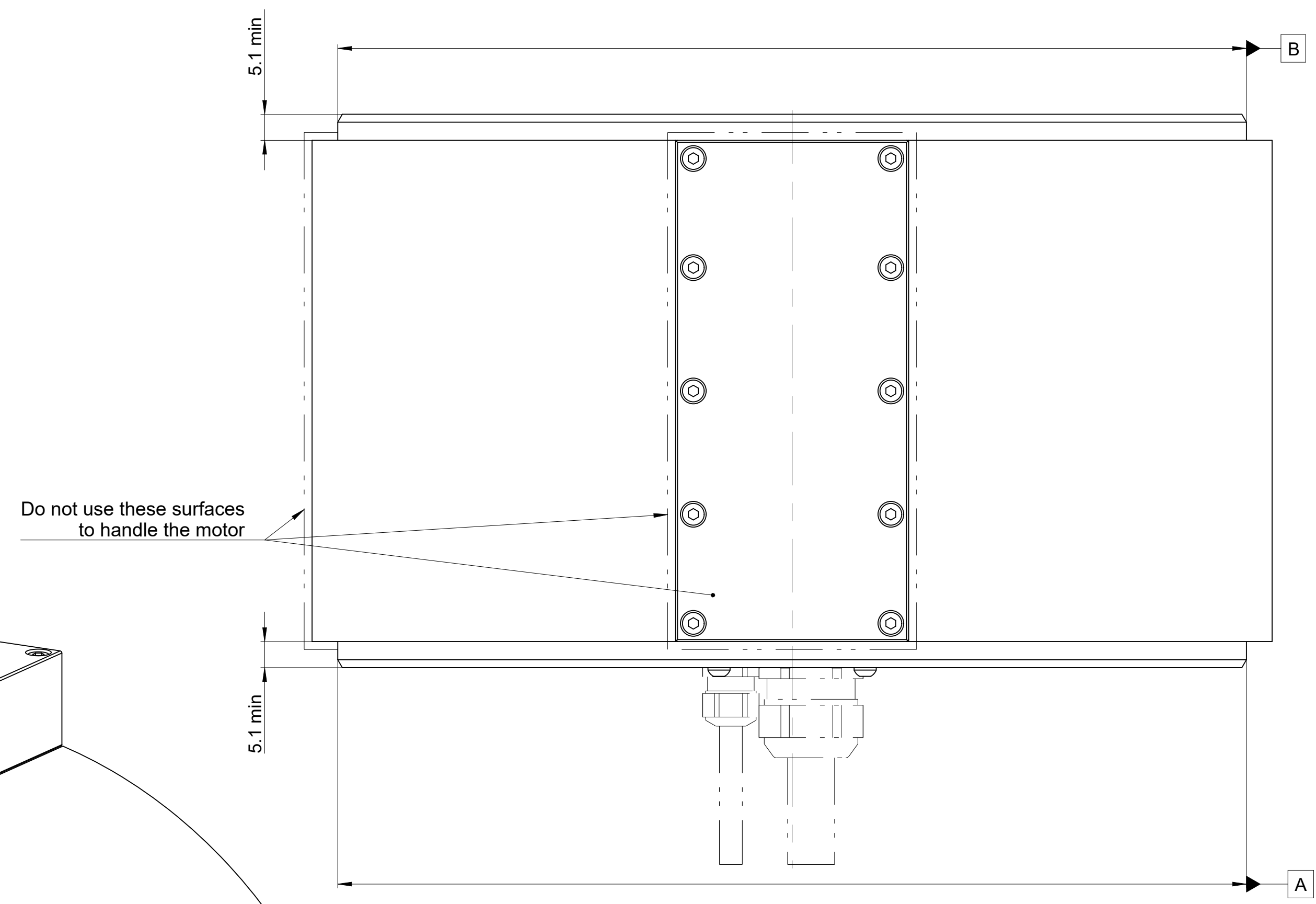
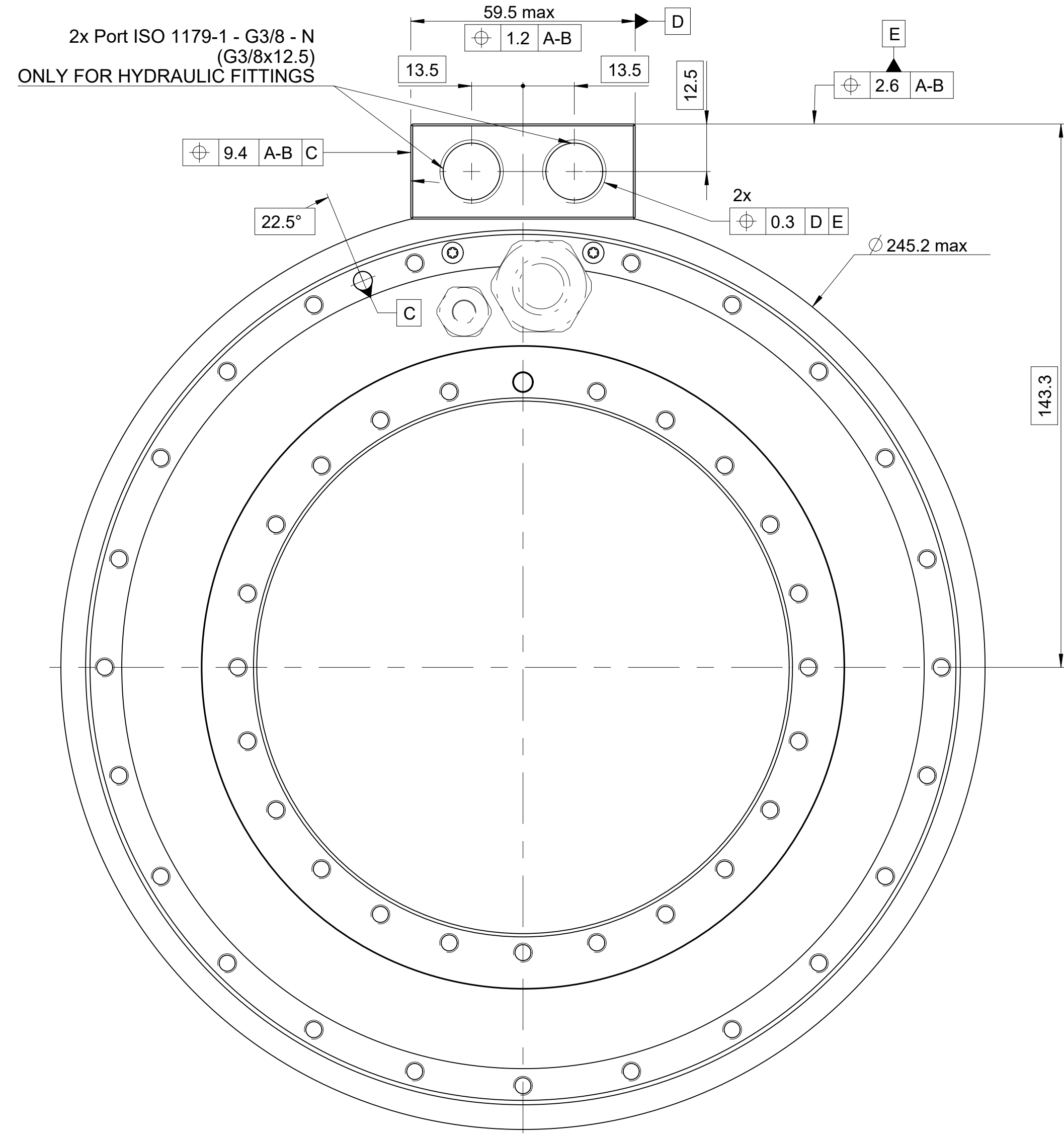
| Configuration type | Sensor |
|--------------------|---------|
| "P" | KTY 84 |
| "T" | PT 1000 |

| Motor family | 0140 | 0210 | 0290 |
|----------------|---------|---------|---------|
| | 0175 | | 0360 |
| Connection | 0291 | 0450 | 0530 |
| | | 0760 | 0990 |
| | | 1221 | |
| | | | |
| White - Brown | Phase 1 | Phase 3 | Phase 2 |
| Green - Yellow | Phase 3 | Phase 2 | Phase 1 |
| Grey - Pink | Phase 2 | Phase 1 | Phase 3 |

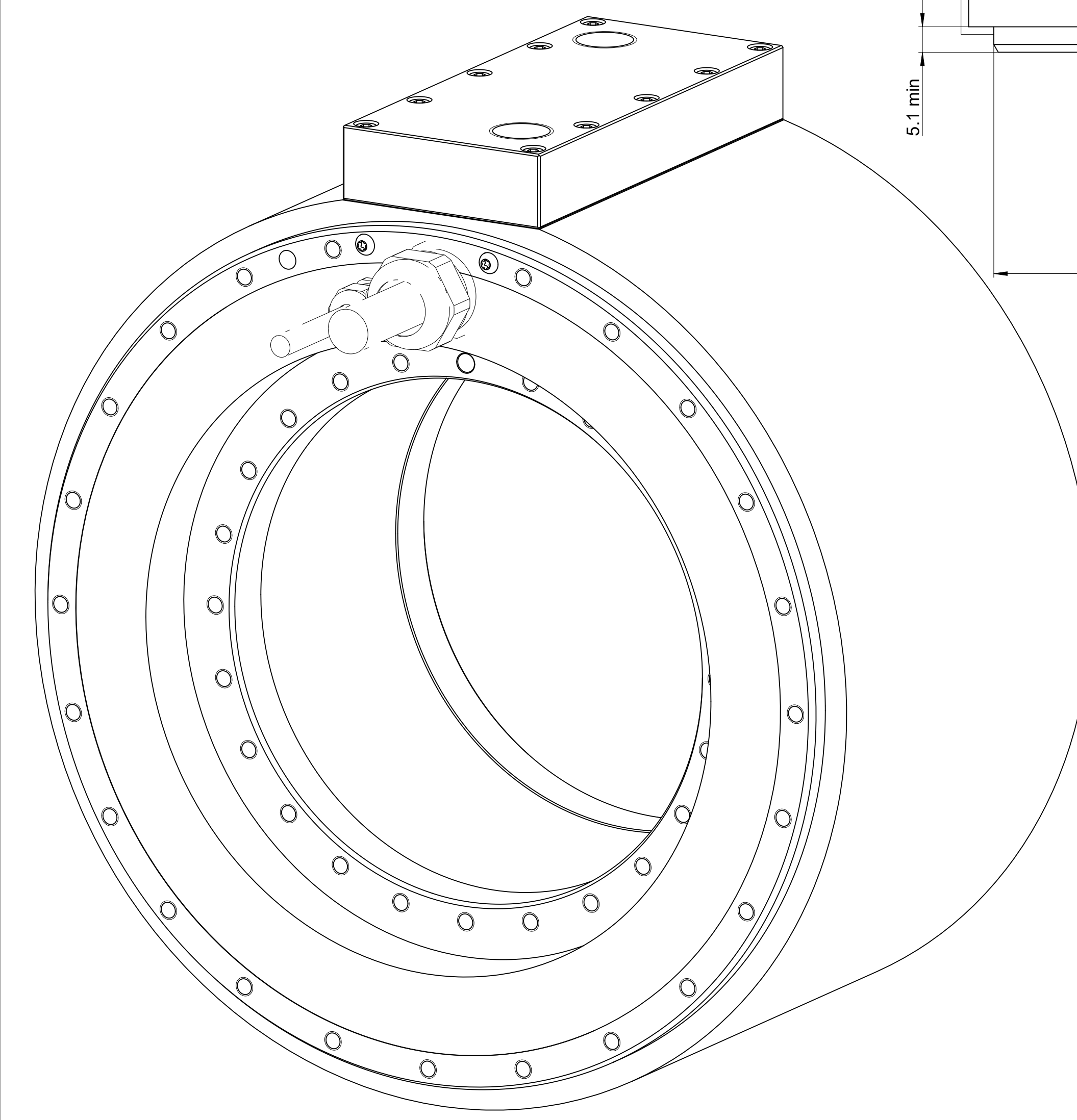
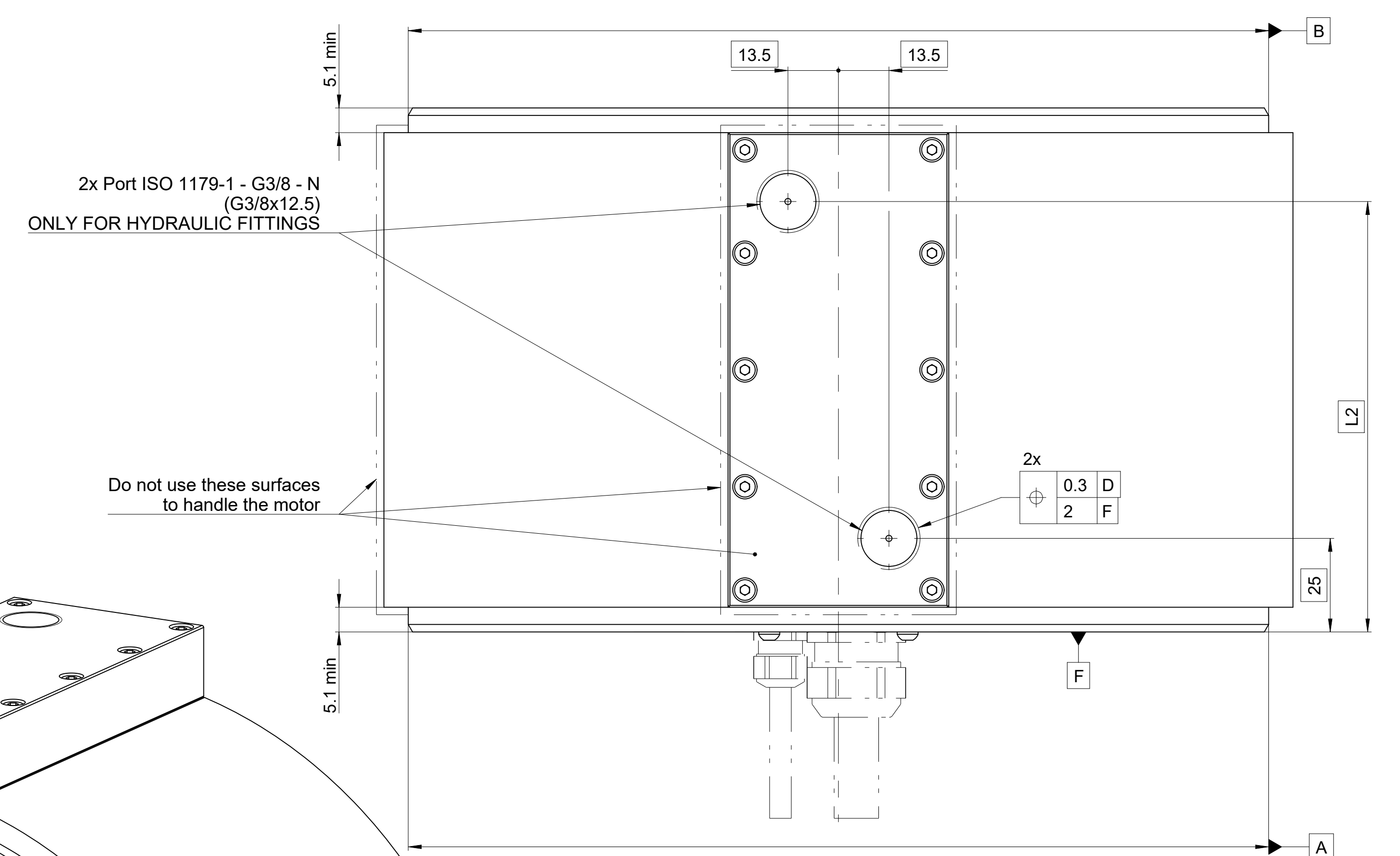
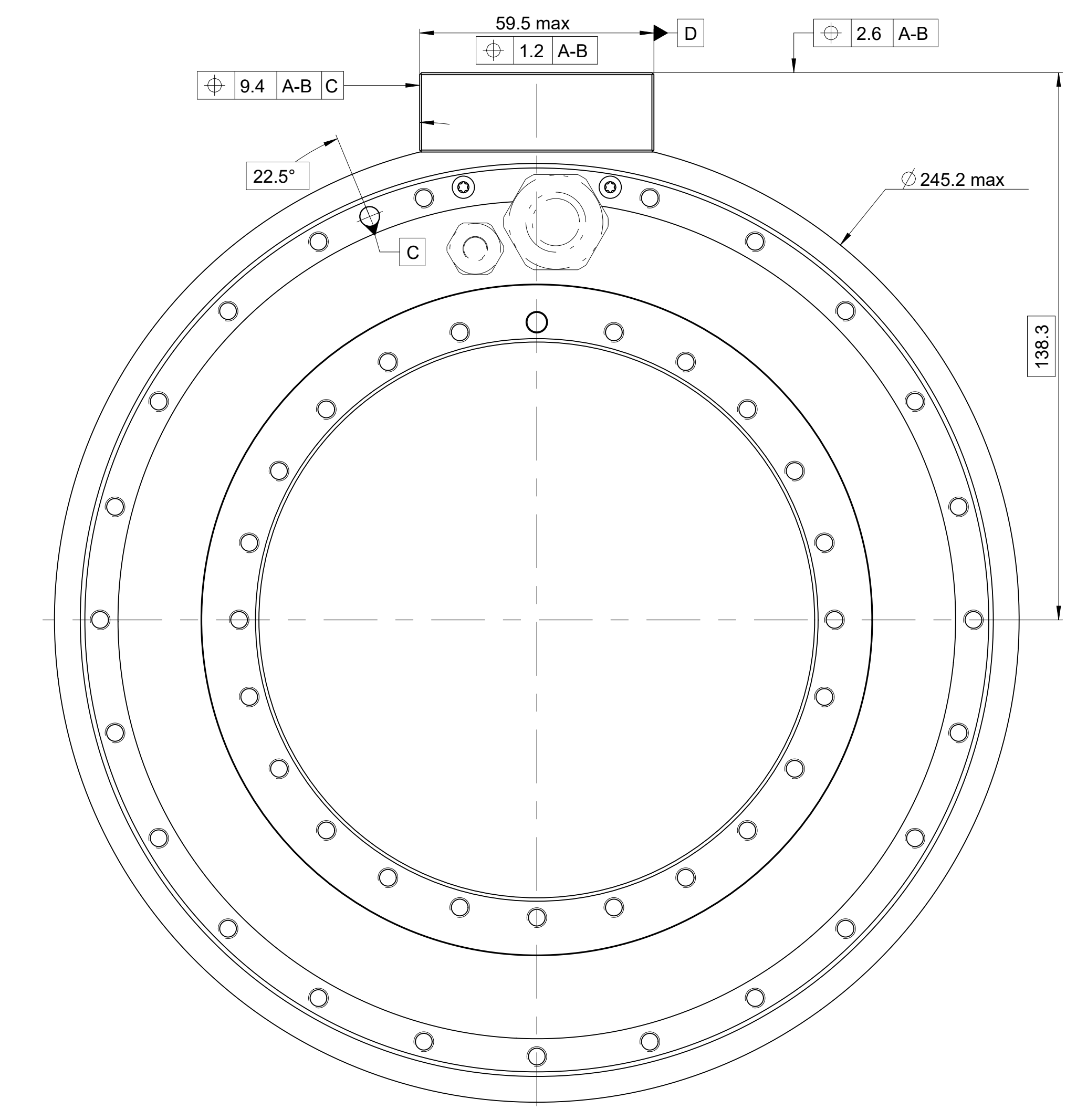
| Designation | Output type | S=W ire section | L5 | H1 | D | SW | Bending radius |
|--------------------|-------------|--------------------|------|------|------|------|-----------------------------------------------------------------------------------------|
| [-] | [-] | [mm ²] | [mm] | [mm] | [mm] | [mm] | [mm] |
| TMB+0210-###-RA#S# | Type 1 | 1.5 | - | 26 | 9.1 | 24 | Static bending radius for: - sensor cable = 30 - power cable = 4x $\varnothing D$ |
| TMB+0210-###-RA#E# | Type 2 | | 51.5 | 34.5 | | | |
| TMB+0210-###-TA#S# | Type 1 | | - | 26 | | | |
| TMB+0210-###-TA#E# | Type 2 | | 51.5 | 34.5 | | | |
| TMB+0210-###-UA#S# | Type 1 | 2.5 | - | 26 | 10.6 | | |
| TMB+0210-###-UA#E# | Type 2 | | 51.5 | 34.5 | | | |
| TMB+0210-###-TB#S# | Type 1 | 4 | - | 28 | 11.9 | | |
| TMB+0210-###-TB#E# | Type 2 | | 51.5 | 34.5 | | | |
| TMB+0210-###-UB#S# | Type 1 | | - | 28 | | | |
| TMB+0210-###-UB#E# | Type 2 | | 53.5 | 34.5 | | | |

| | | | |
|-------------------------------------------------------------------------------------------------------------------------------------------------------------------------------------------------------------------------------------------------------------------------------------------------------------------------------|-----|------------------------------------------------------------------------------------------------------------------|-------------------------------------------------------------------------------------------------------------------------------------------------|
| Text: | | ID number: | |
| Change No. C075986-32 | | Released: 09.12.2021 | |
| | | TMB+0210-###-#####-O#-AA0 TMB+0210-###-#####-O#-AA0 Mating Dimensions / Cotes d'encombrement | |
| Dimensions in mm | 1:1 | A2 | Tolerances as per ISO 8015 : 2011 Tolérances selon ISO 8015 : 2011 Dimensions without tolerance ± 0,2 Dimensions sans tolérances ± 0,2 |
| The reproduction, distribution and utilization of this document as well as the communication of its contents to others without express authorization is prohibited. Offenders will be held liable for the payment of damages. All rights reserved in the event of the grant of a patent, utility model or design. (ISO 16016) | | | |
| ETEL S.A. 2112 Môtiers SWITZERLAND | | Version Revision Sheet Page 1175577-05-A-01 Document number | |

TMB+0210-###-#####-A#-AA0
 (Annex to interface drawing 1175577: please check for motor and cable cable output information)



TMB+0210-###-#####-R#-AA0
 (Annex to interface drawing 1175577: please check for motor and cable cable output information)



| Designation | L2 |
|--------------|-----|
| TMB+0210-030 | 45 |
| TMB+0210-050 | 65 |
| TMB+0210-070 | 85 |
| TMB+0210-100 | 115 |
| TMB+0210-150 | 165 |
| TMB+0210-200 | 215 |