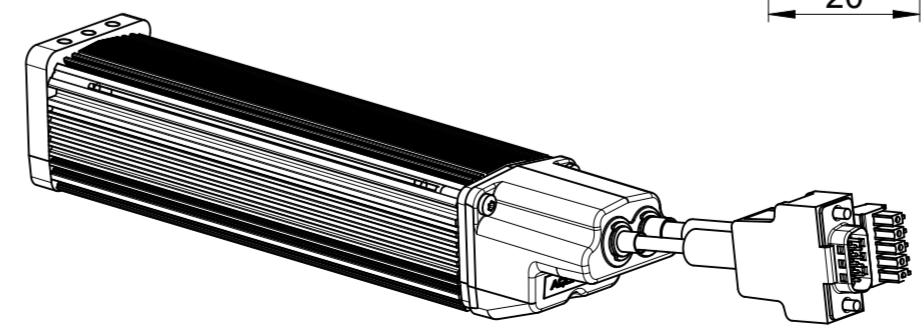
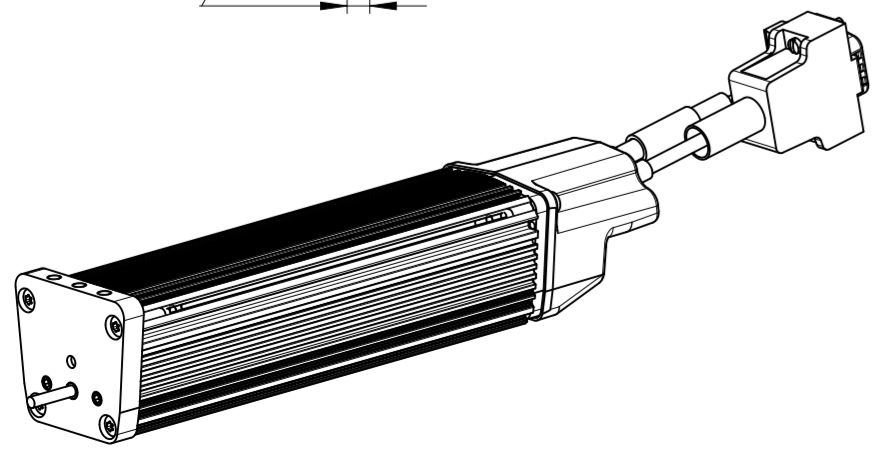


Function	Pin	Color motor cable
PH1+	2	Brown
PH1-	3	White
PE+Shield	1	Green

Function	Pin	Color encoder cable
+5 V	4	Brown/Green
0 V	5	White/Green
Shield		
A+	14	White
A-	7	Blue
B+	13	Gray
B-	6	Pink



Text: Drawing updated		ID number: 1180422-01
Original drawing: ASME-TMMA00100451PAS0010- Z STANDALONE ACTUATOR		Change No. C124922-10
Scale: 1:1		Released: 09-Jun-21
Format: A2		Tolerances as per ISO 8015 : 2011
Mating Dimensions / Cotes d'encombrement		Tolerances selon ISO 8015 : 2011
The reproduction, distribution and utilization of this document as well as the communication of its contents to others without express authorization is prohibited. Offenders will be held liable for the payment of damages. All rights reserved in the event of the grant of a patent, utility model or design. (ISO 16016)		Dimensions without tolerance / Dimensions sans tolérances
ETEL ETEL S.A. 2112 Môtiers SWITZERLAND		Version Revision Sheet Page
1203559-01-A-01		1 of 1
Document number		