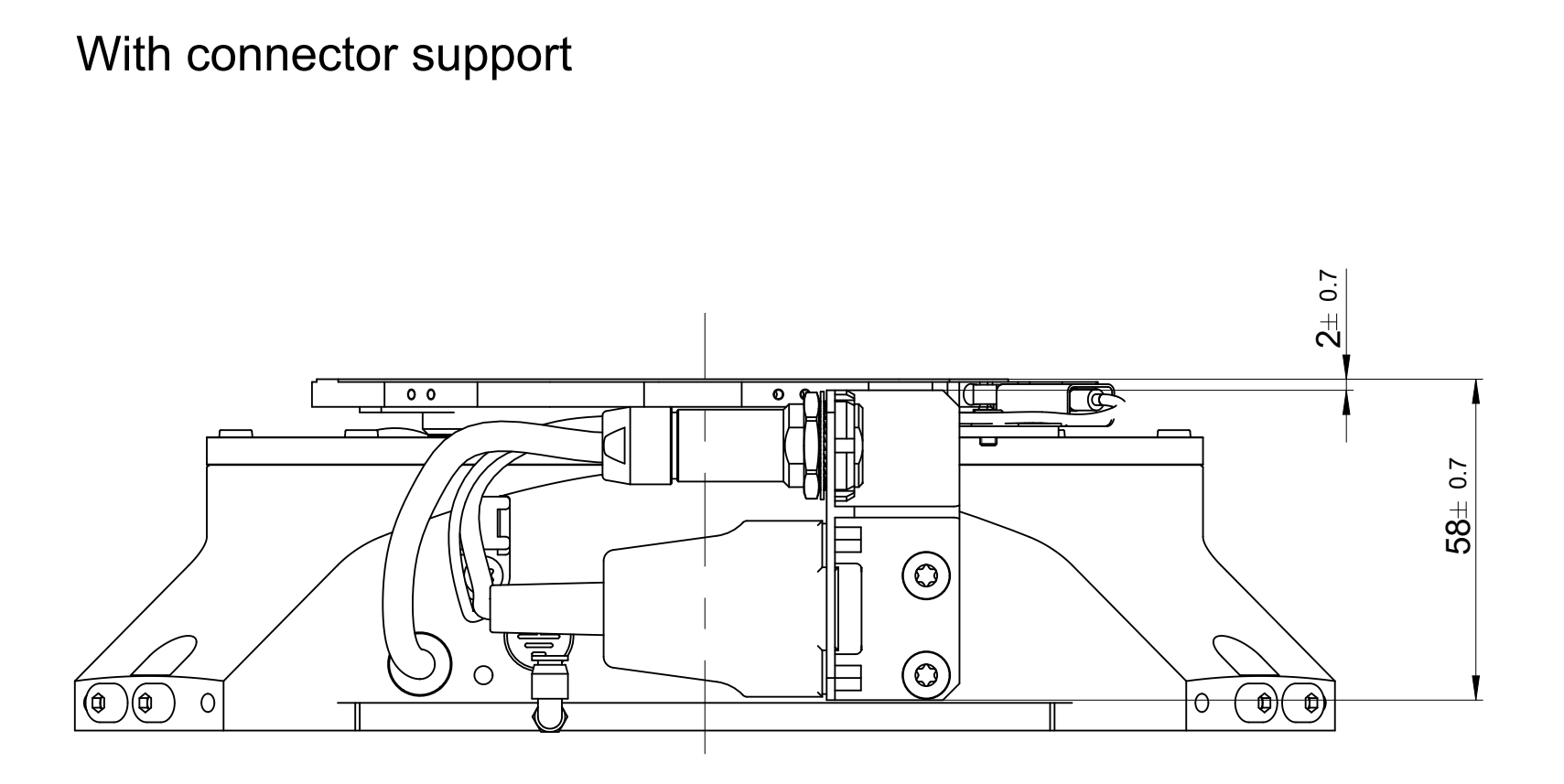
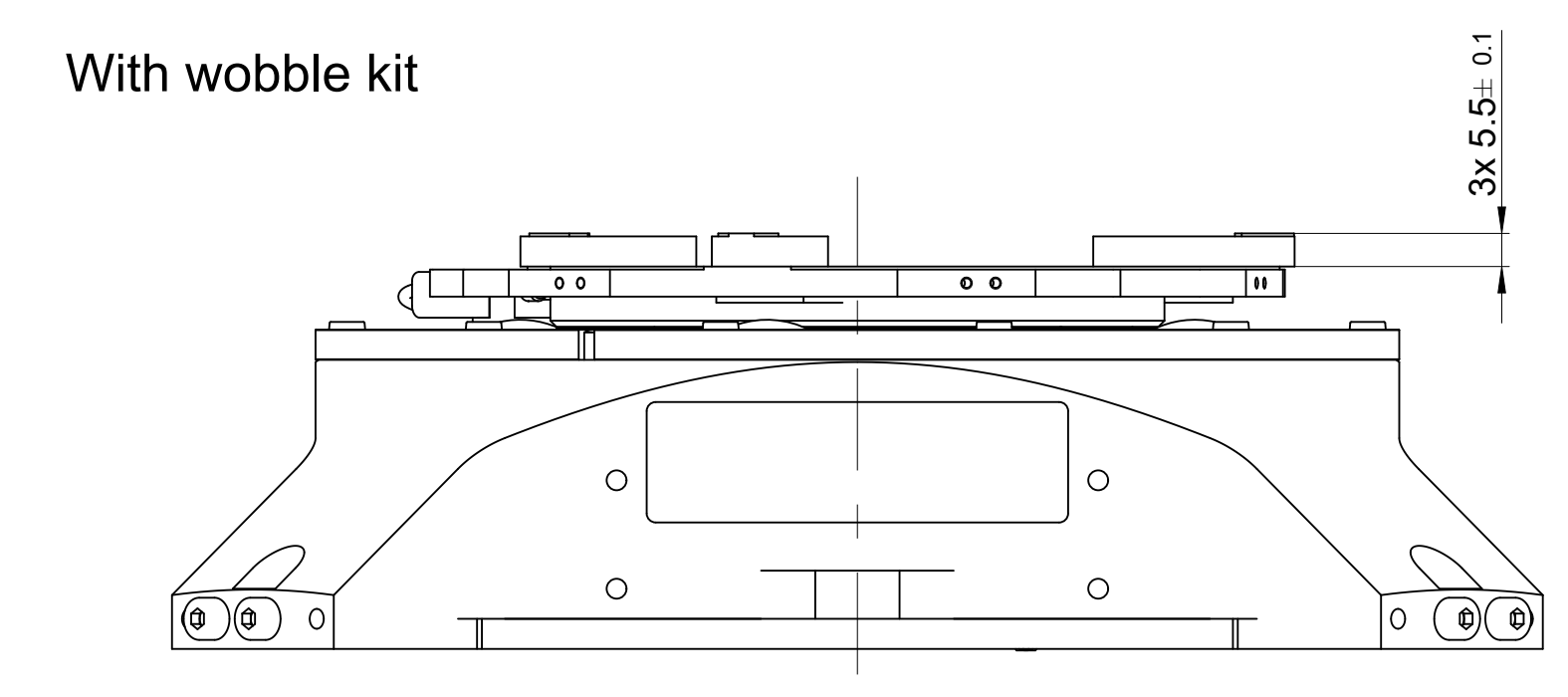
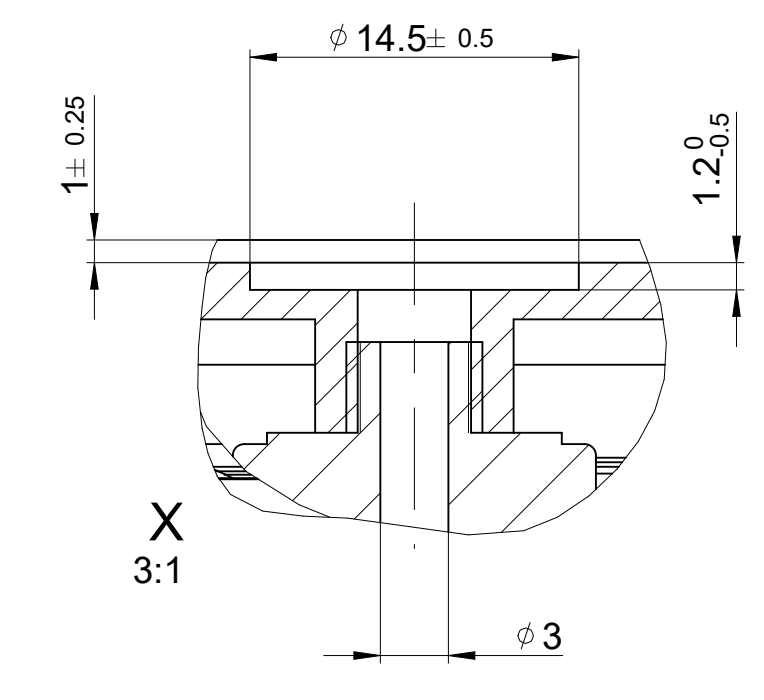
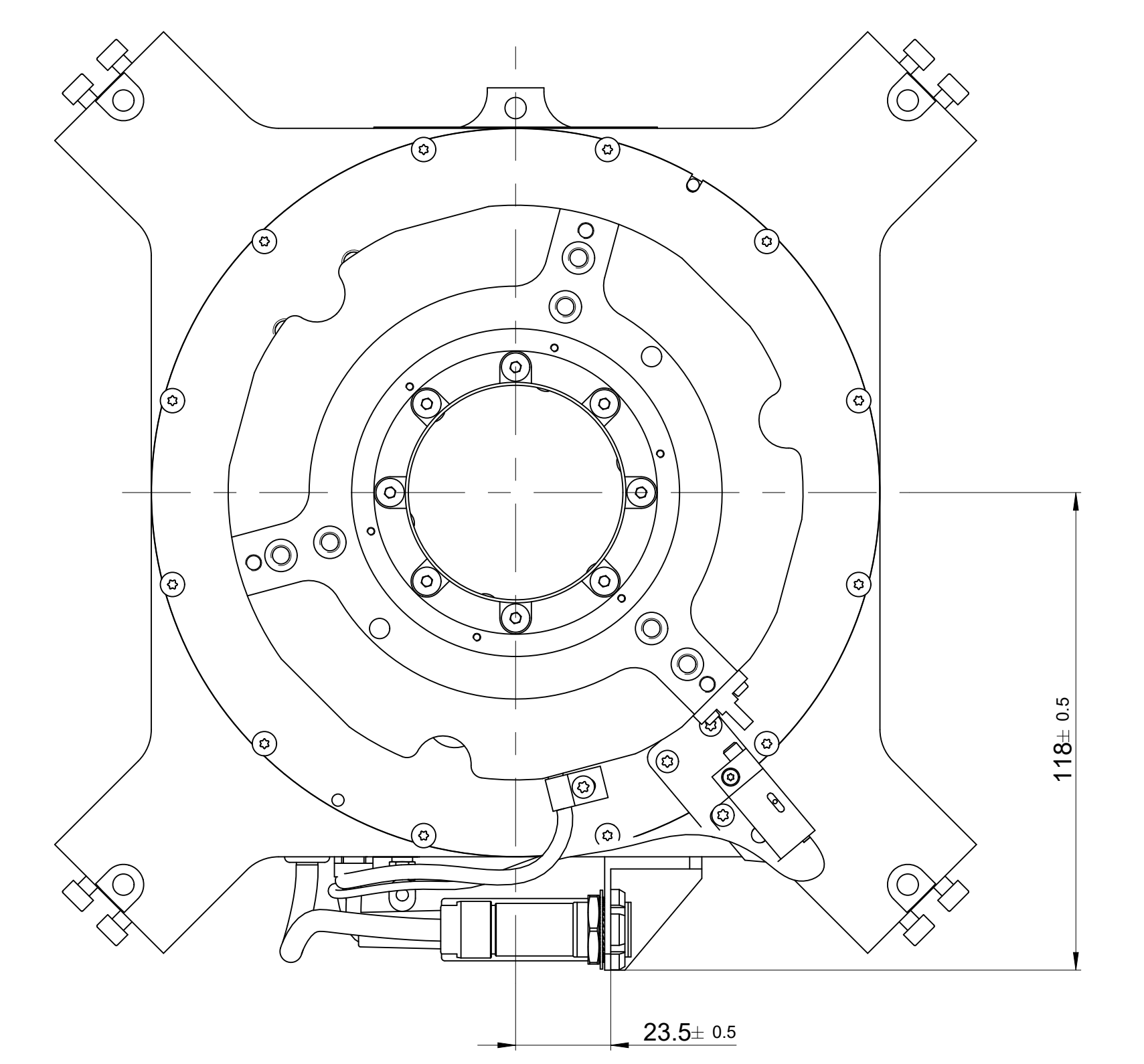
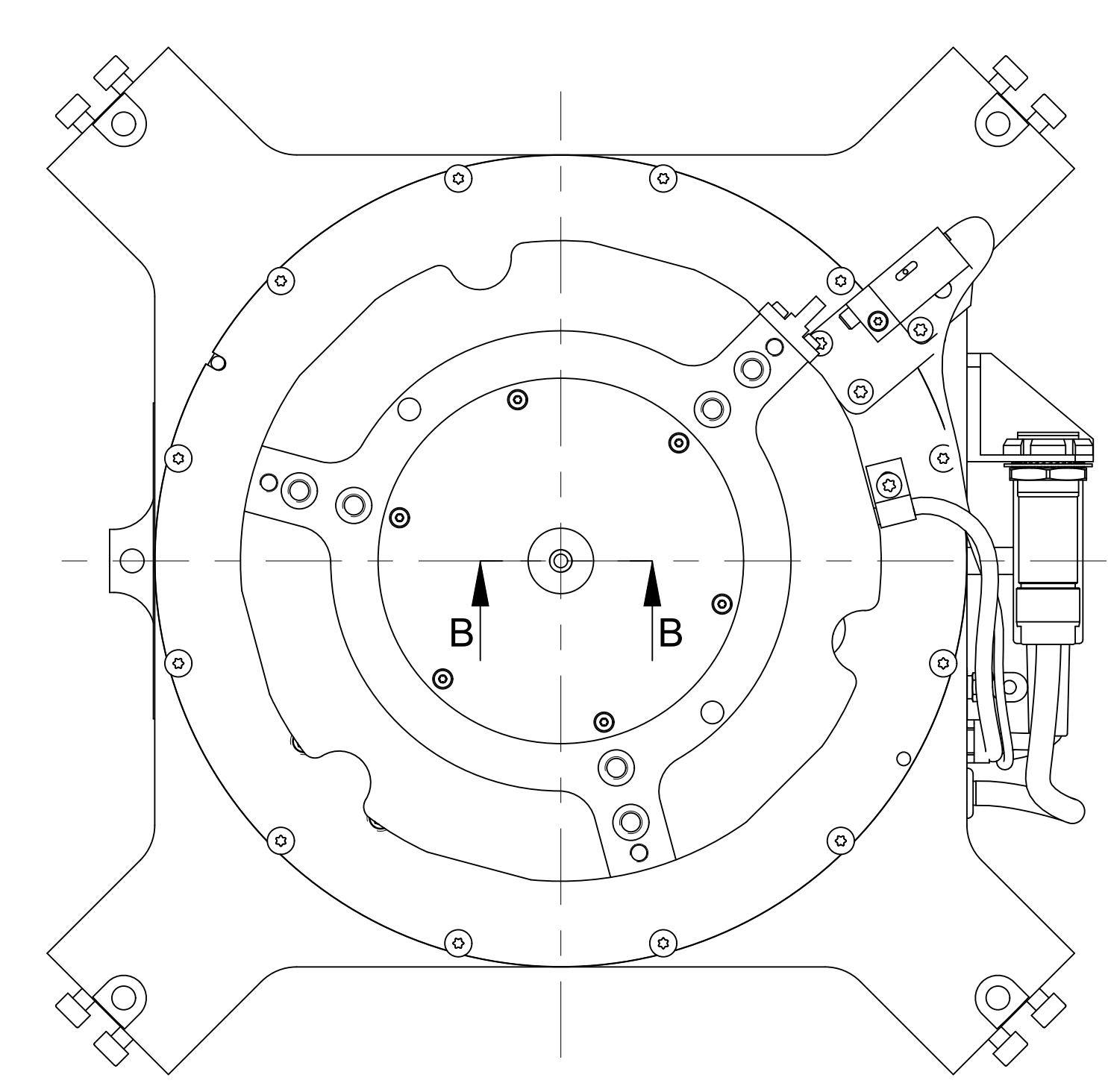
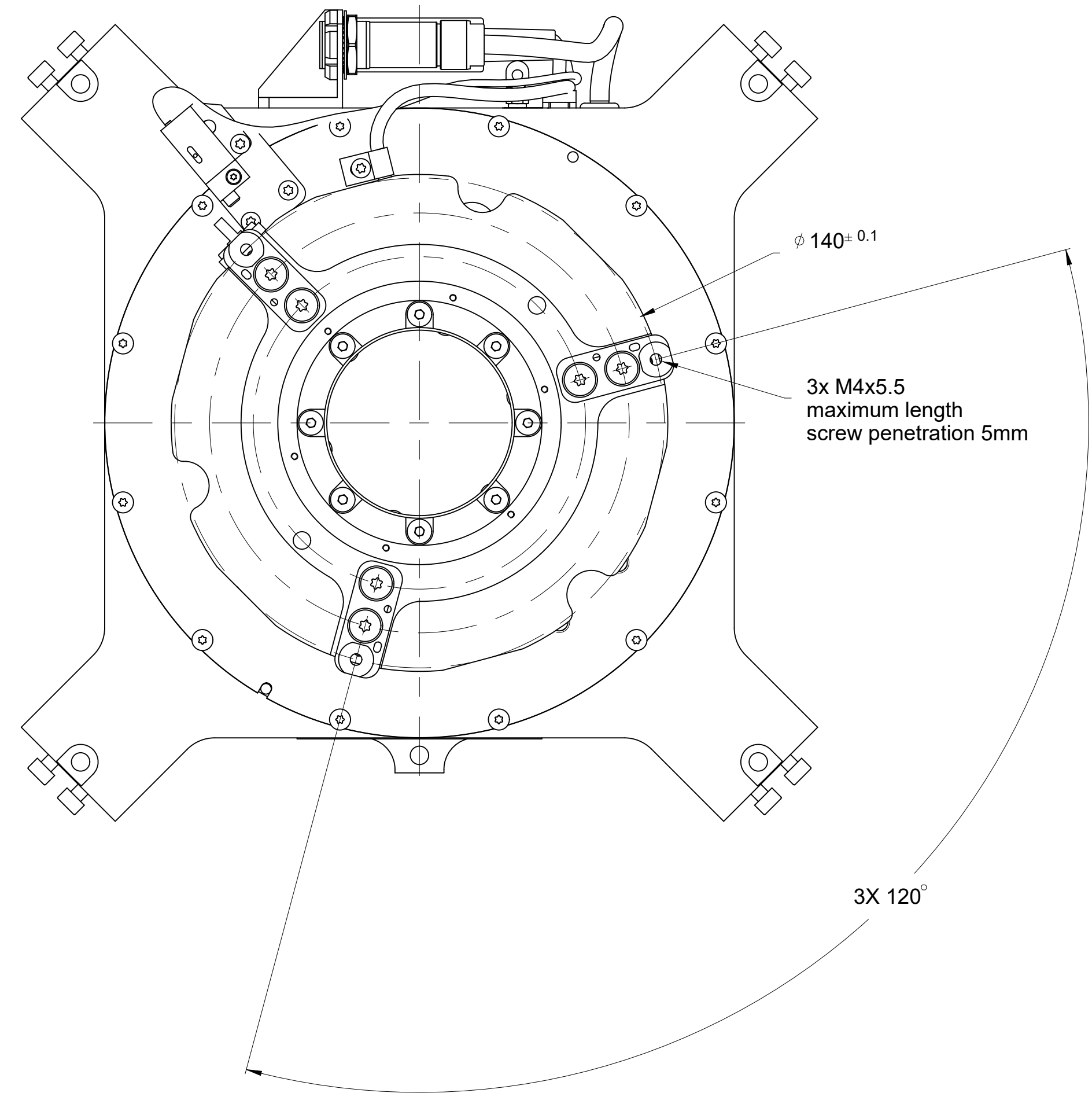
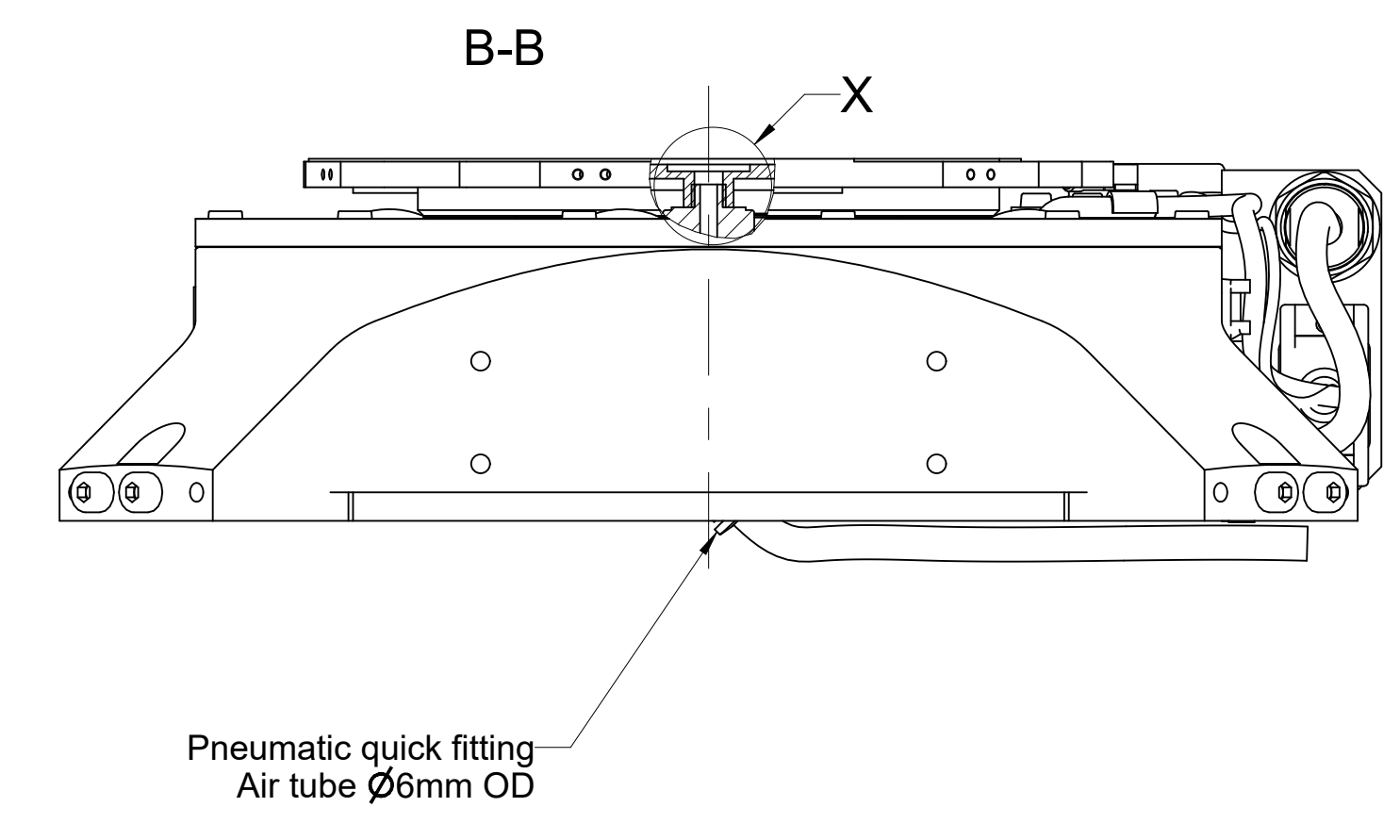


Text: Screw penetration: Define min / max		ID number: 1285346-01	
Original drawing	Scale: 1:1	Format: A0	Change No.: C139467-25
RoHS	1:1	A0	Released: 16-05-2022
DXRH0180-020 - full options		Material: Matiere:	
DXRH0180-020 - toutes options			
Dimensions in mm / Cotes en mm	Mating Dimensions / Cotes d'assemblage	Surface as per ISO 1302	
Workpiece edges ISO 13715	General tolerances ISO 2768-mK	Etats de surface selon ISO 1302	
± 0.1	± 0.3	Tolérances générales ISO 2768-mK	
± 0.3	± 0.0	Tolérances selon ISO 8015 : 2011	
± 0.3	± 0.0	Tolérances selon ISO 8015 : 2011	
Surface treatment: Traitement de surface		Surface as per ISO 1302	
The reproduction, distribution and utilization of this document as well as the communication of its contents to others without express authorization is prohibited. Offenders will be held liable for the payment of damages. All rights reserved in the event of the grant of a patent, utility model or design. (ISO 16016)		Version (Revision/Sheet): Page 3 of 3	
<b>ETEL</b> ETEL S.A. 2112 Môtres SWITZERLAND		1323364-05-A-01	

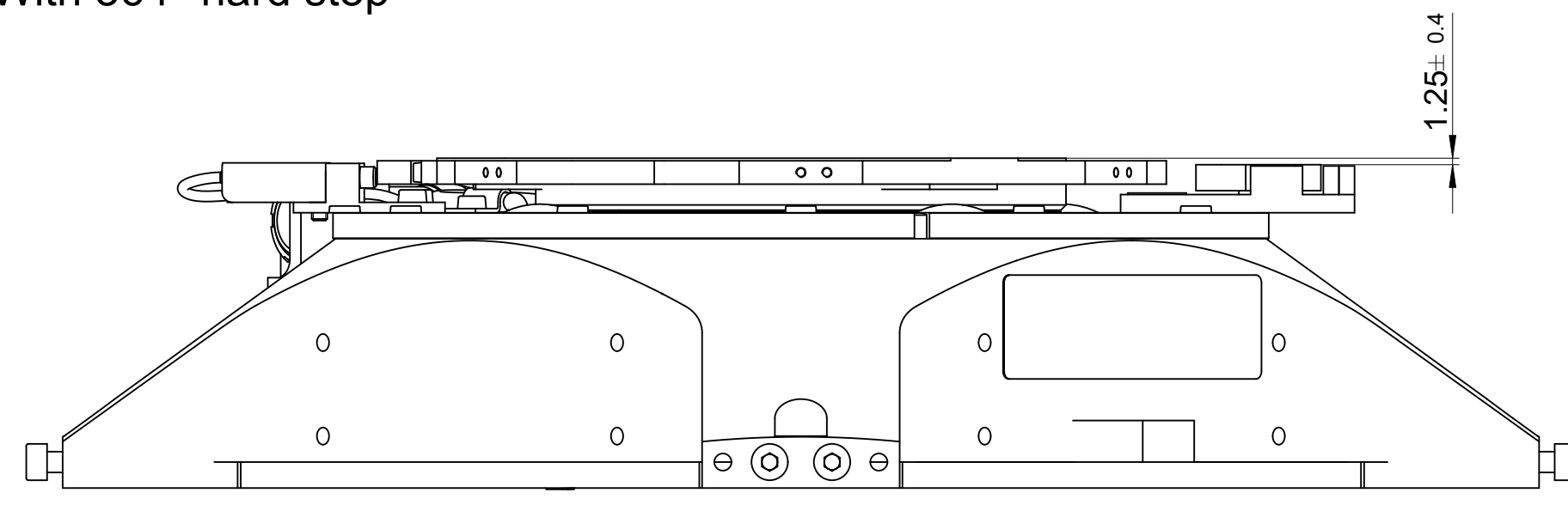


Kit Vacuum Theta Infinite

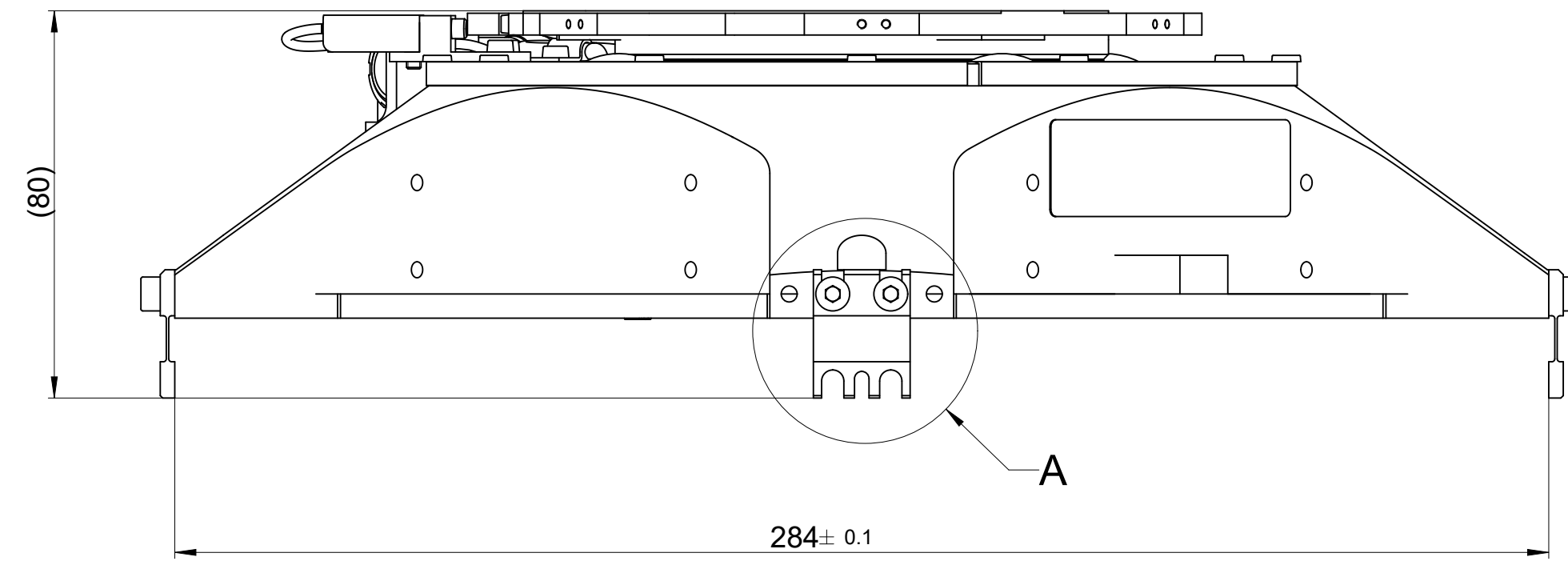


Text: Screw penetration: Define min / max		ID number: 1285346-01	
Original drawing	Scale: 4:5	Format: A0	Change No.: C139467-25
RoHS	4:5	A0	Revised: 16-05-2022
DXRH0180-020 - full options		Material: Matiere:	
DXRH0180-020 - toutes options			
Dimensions in mm / Cotes en mm	Mating Dimensions / Cotes d'assemblage	Surface as per ISO 1302	
Workpiece edges ISO 13715	General tolerances ISO 2768-mK	Surface treatment: Traitement de surface	
±0.1	±0.3	Surface as per ISO 1302	
±0.3	±0.0	Surface treatment: Traitement de surface	
±0.0	±0.0	Surface treatment: Traitement de surface	
Tolerances as per ISO 8015:2011			
Tolerances selon ISO 8015:2011			
The reproduction, distribution and utilization of this document as well as the communication of its contents to others without express authorization is prohibited. Offenders will be held liable for the payment of damages. All rights reserved in the event of the grant of a patent, utility model or design. (ISO 16016)			
ETEL S.A. 2112 Môtres SWITZERLAND		Version (Revision/Sheet): Page 2 of 3	
		1323364-05-A-01	
		Document number	

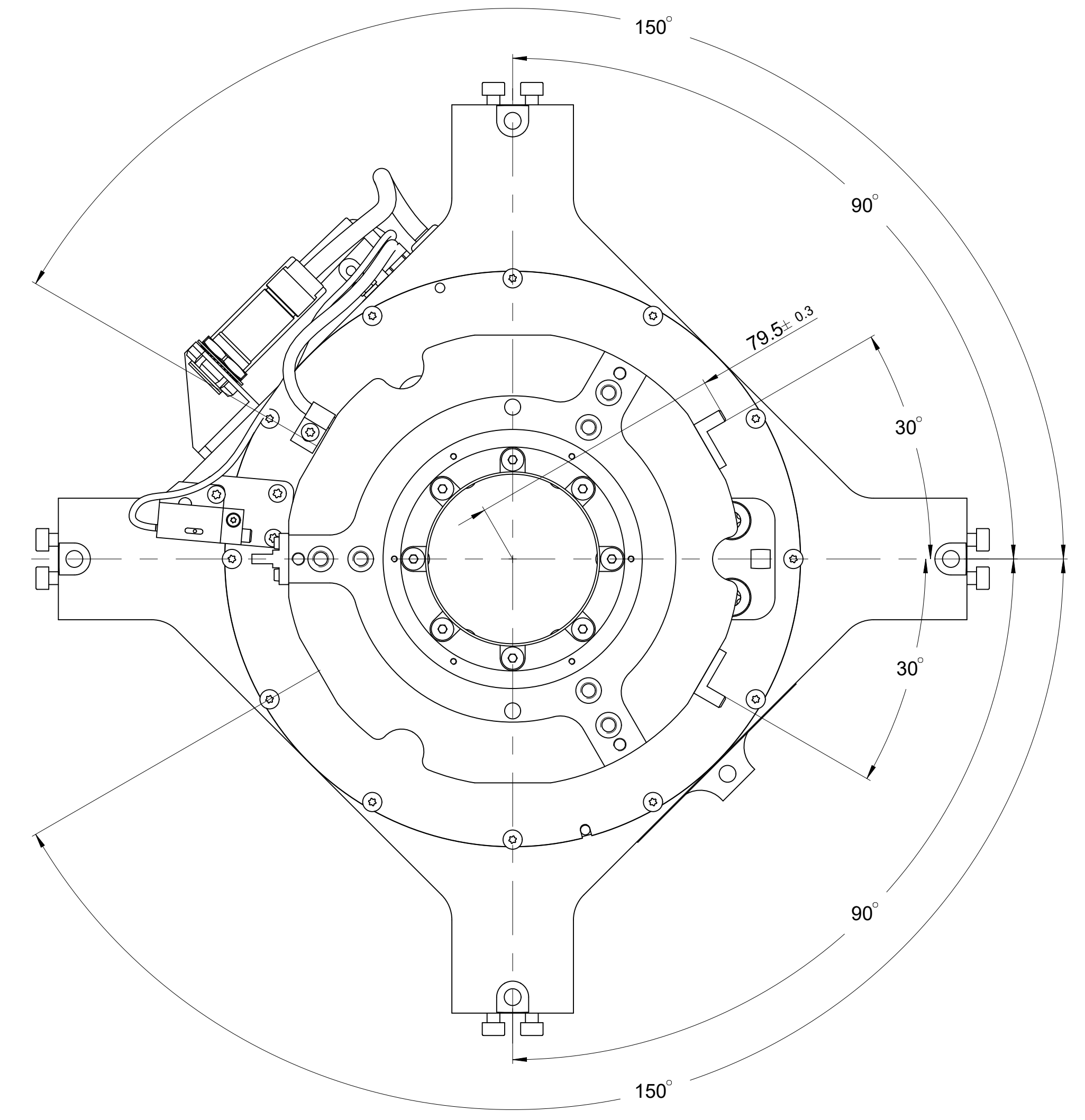
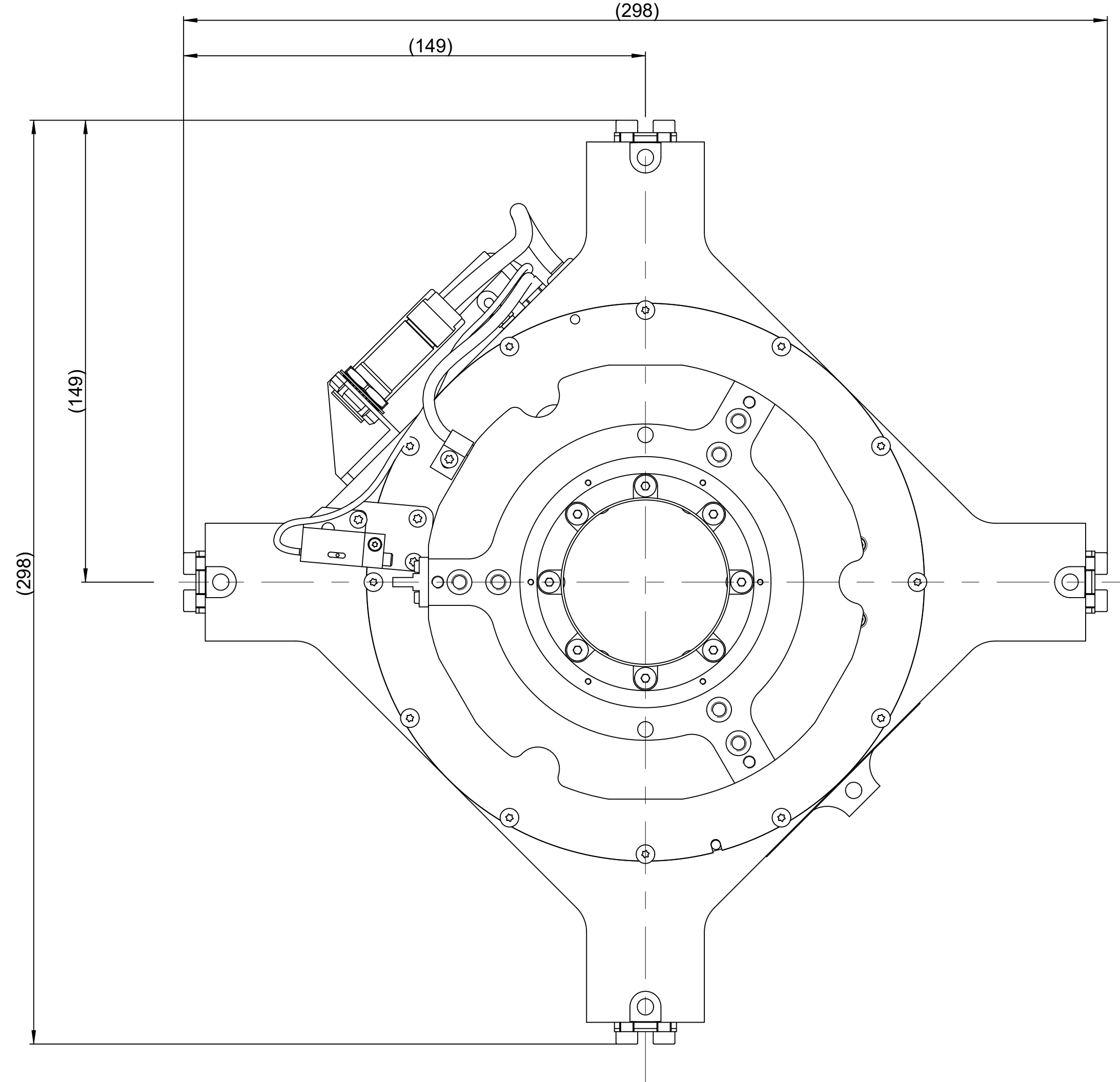
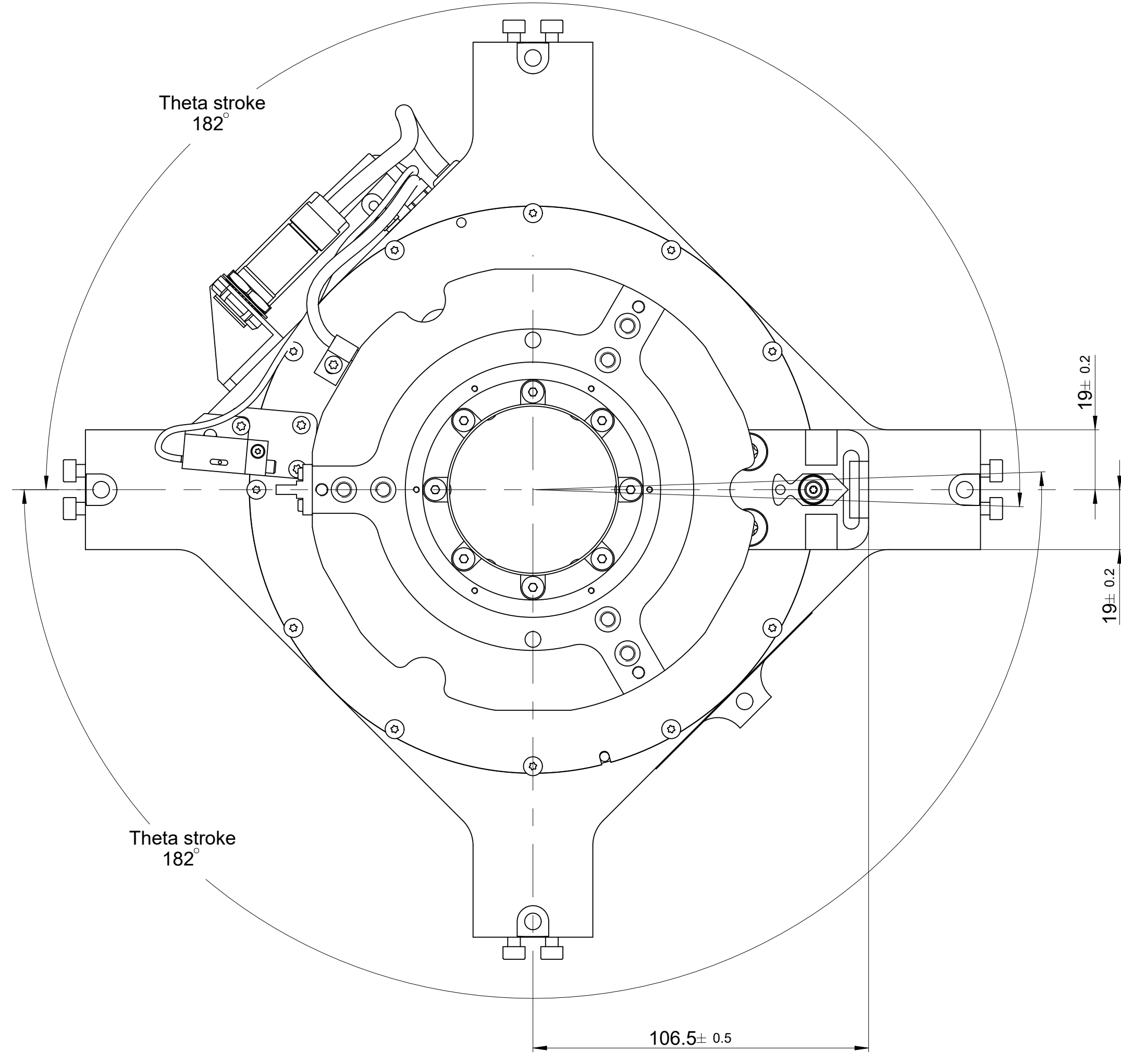
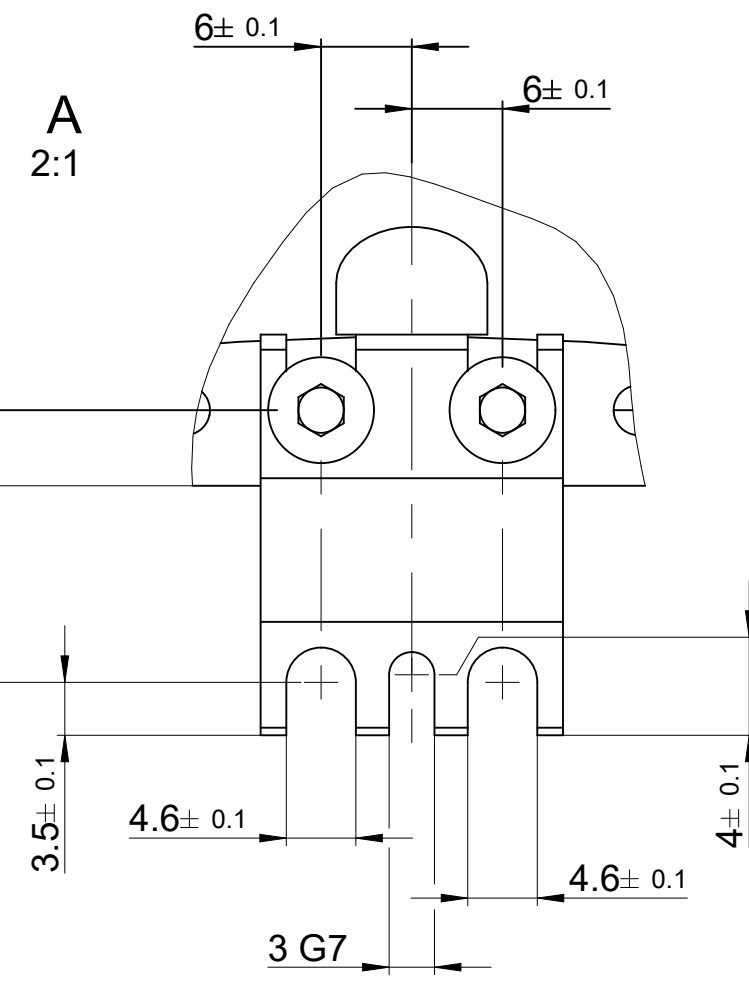
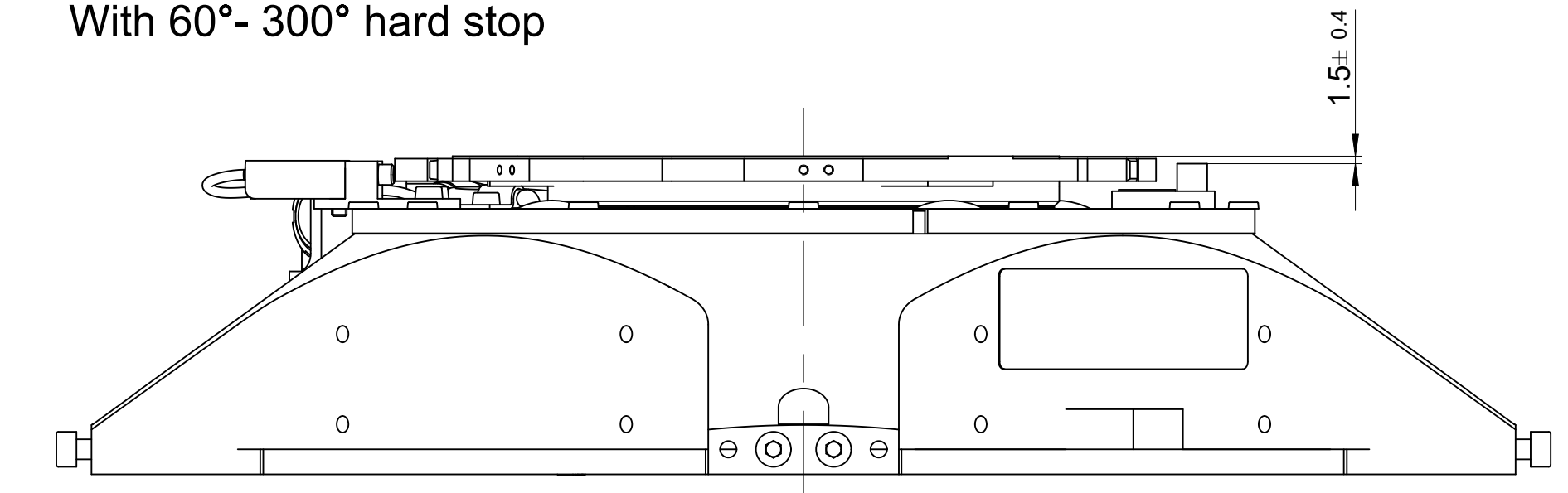
With 364° hard stop



With kit 4 interface legs



With 60° - 300° hard stop



Text: Screw penetration: Define min / max		ID number: 1285346-01	
Original drawing	Scale	Format	Change No. C139467-25
RoHS 4:5 A0	DXRH0180-020 - full options	DXRH0180-020 - toutes options	Revised: 16-05-2022
Dimensions in mm / Codes en mm	Material	Surface as per ISO 1302	Surface as per ISO 1302
Workpiece edges ISO 13715	General tolerances ISO 2768-mK	Tolerances as per ISO 8015:2011	Surface treatment
Etats de formes selon ISO 13715	Tolérances générales ISO 2768-mK	Tolérances selon ISO 8015:2011	Traitement de surface
±0.1	±0.3	±0.0	
±0.3	±0.0		
The reproduction, distribution and utilization of this document as well as the communication of its contents to others without express authorization is prohibited. Offenders will be held liable for the payment of damages. All rights reserved in the event of the grant of a patent, utility model or design. (ISO 15016)			Version (Revision/Sheet): Page 3 of 3
ETEL S.A. 2112 Môtres SWITZERLAND		1323364-05-A-01	