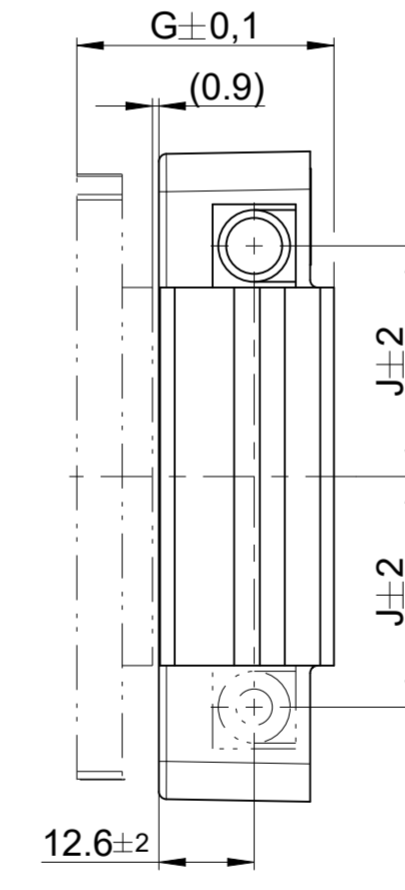
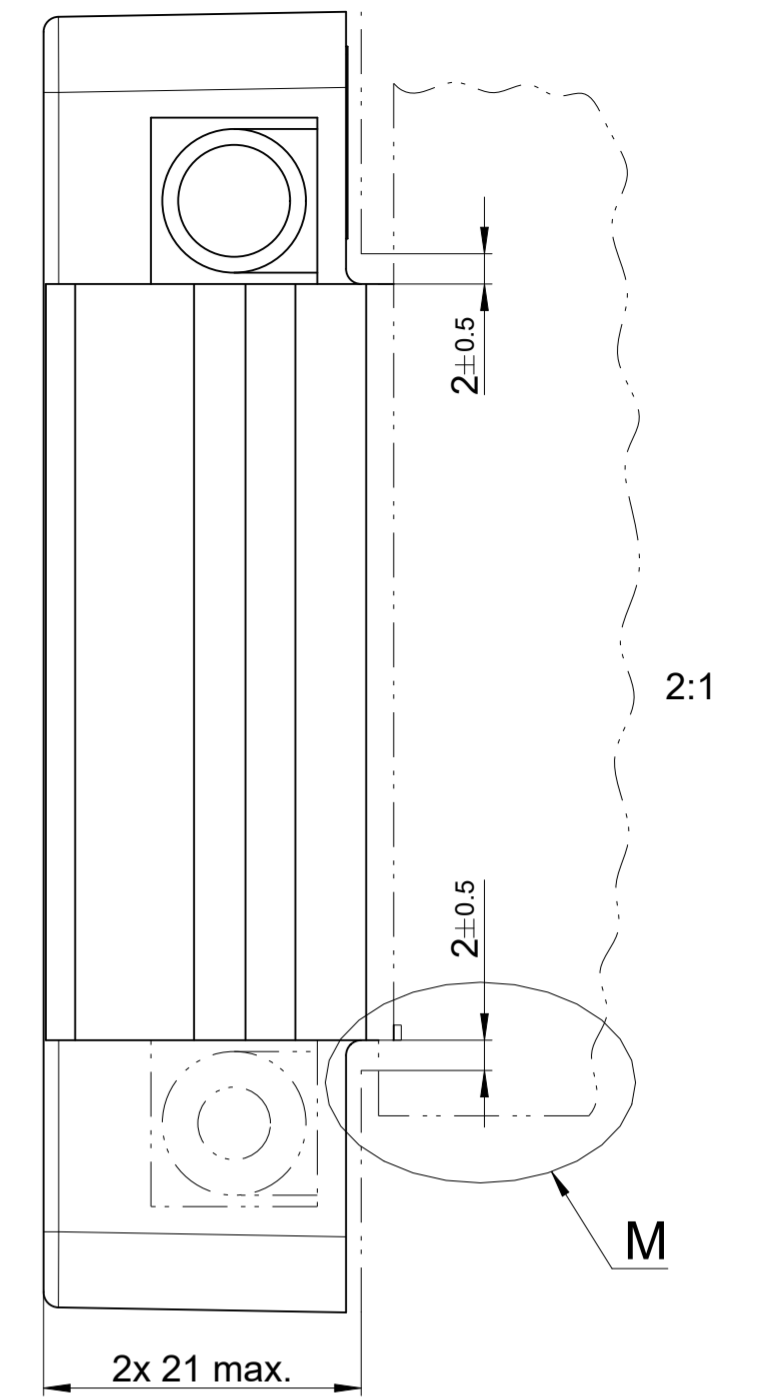
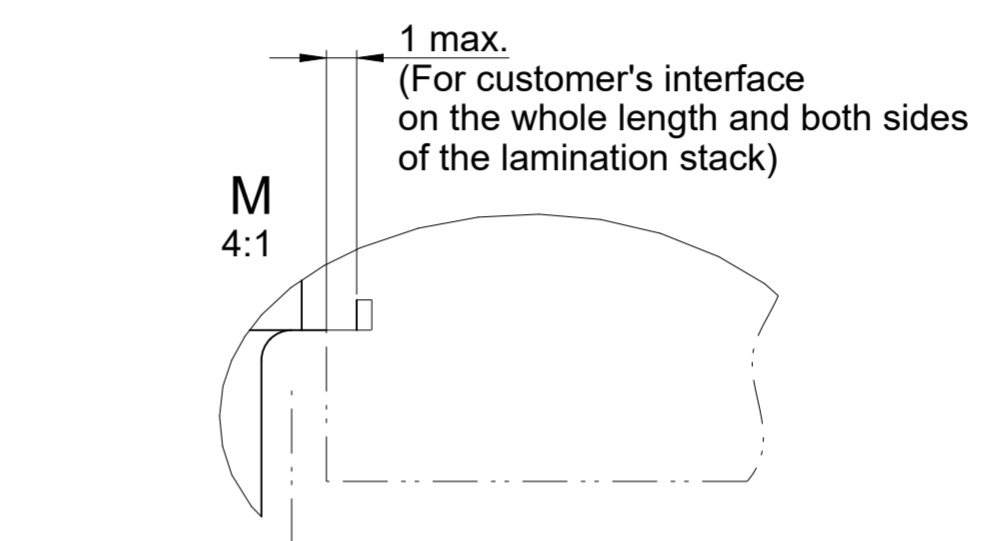
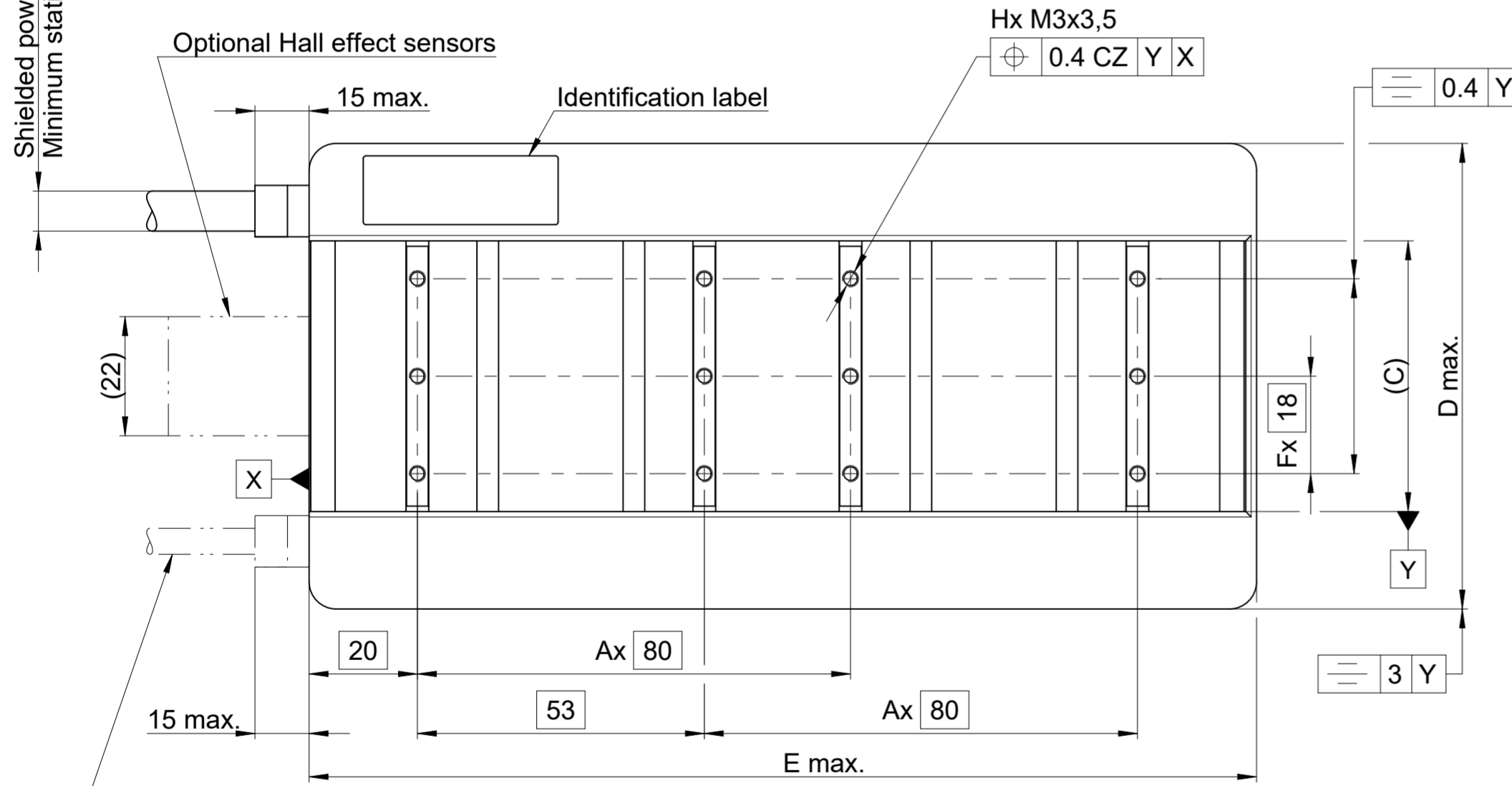
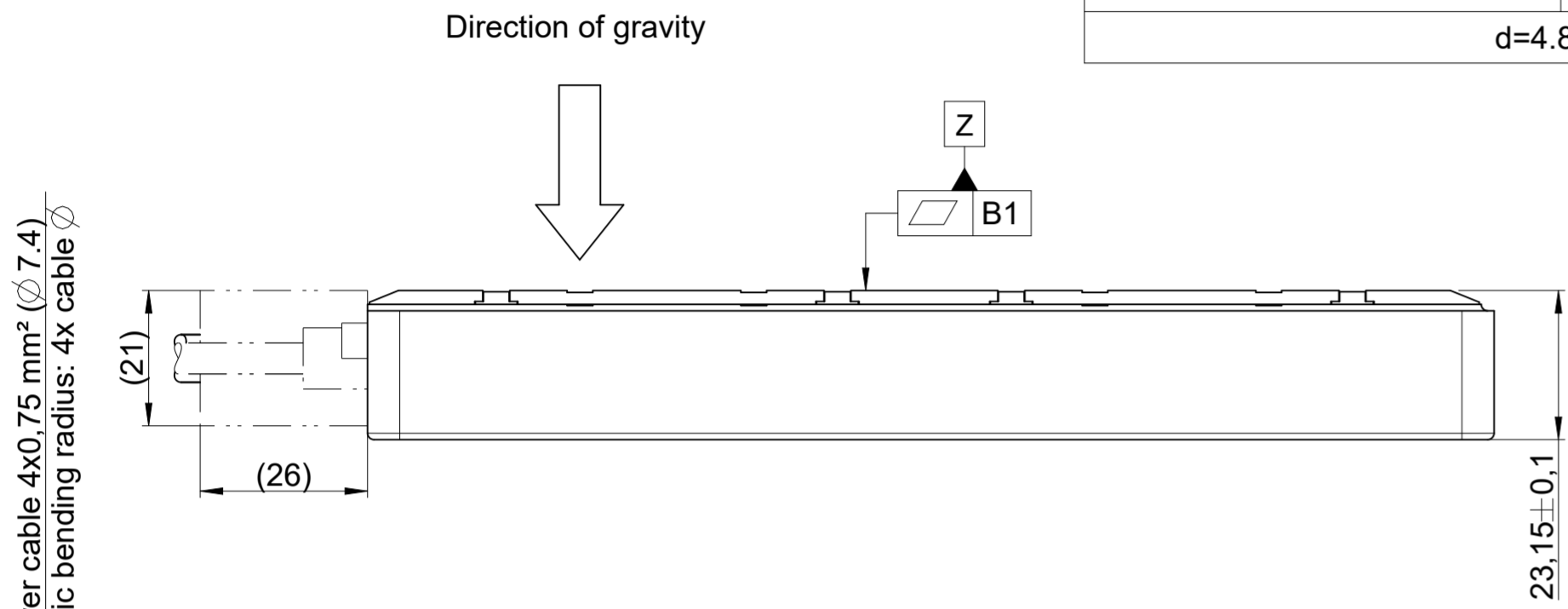
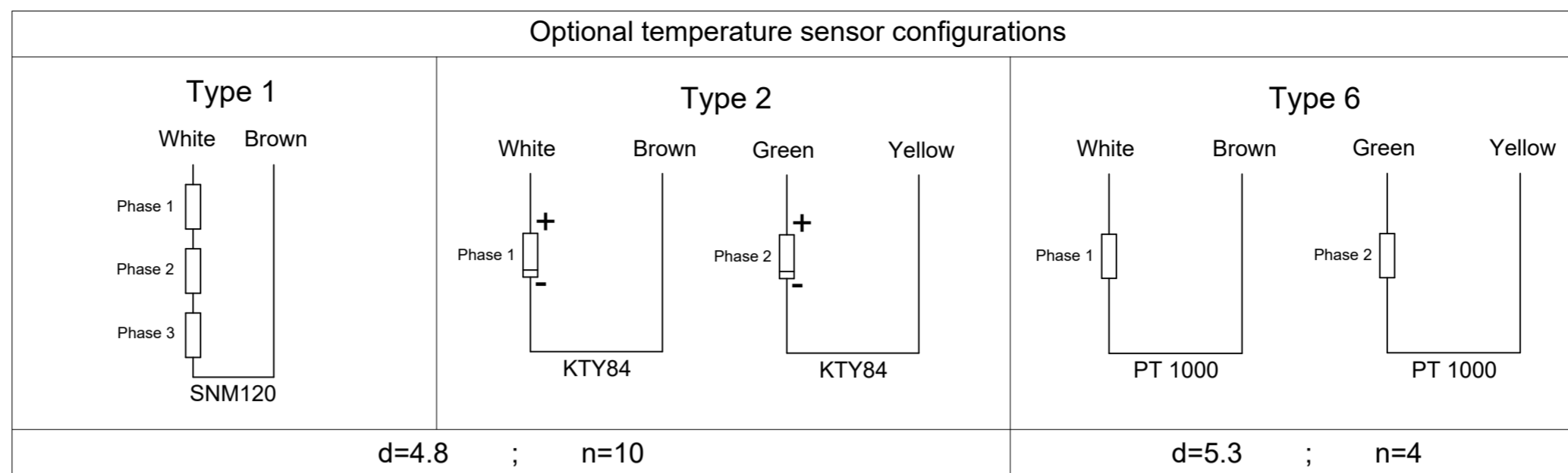


Linear Motors

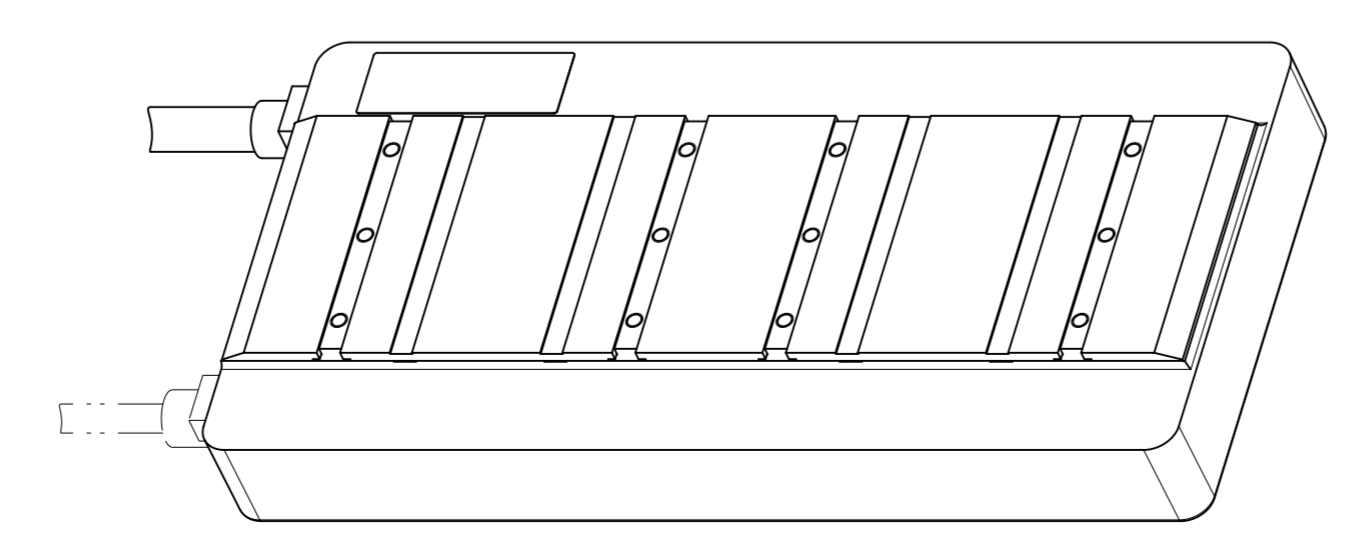
LMG INTERFACE DRAWINGS

ETEL

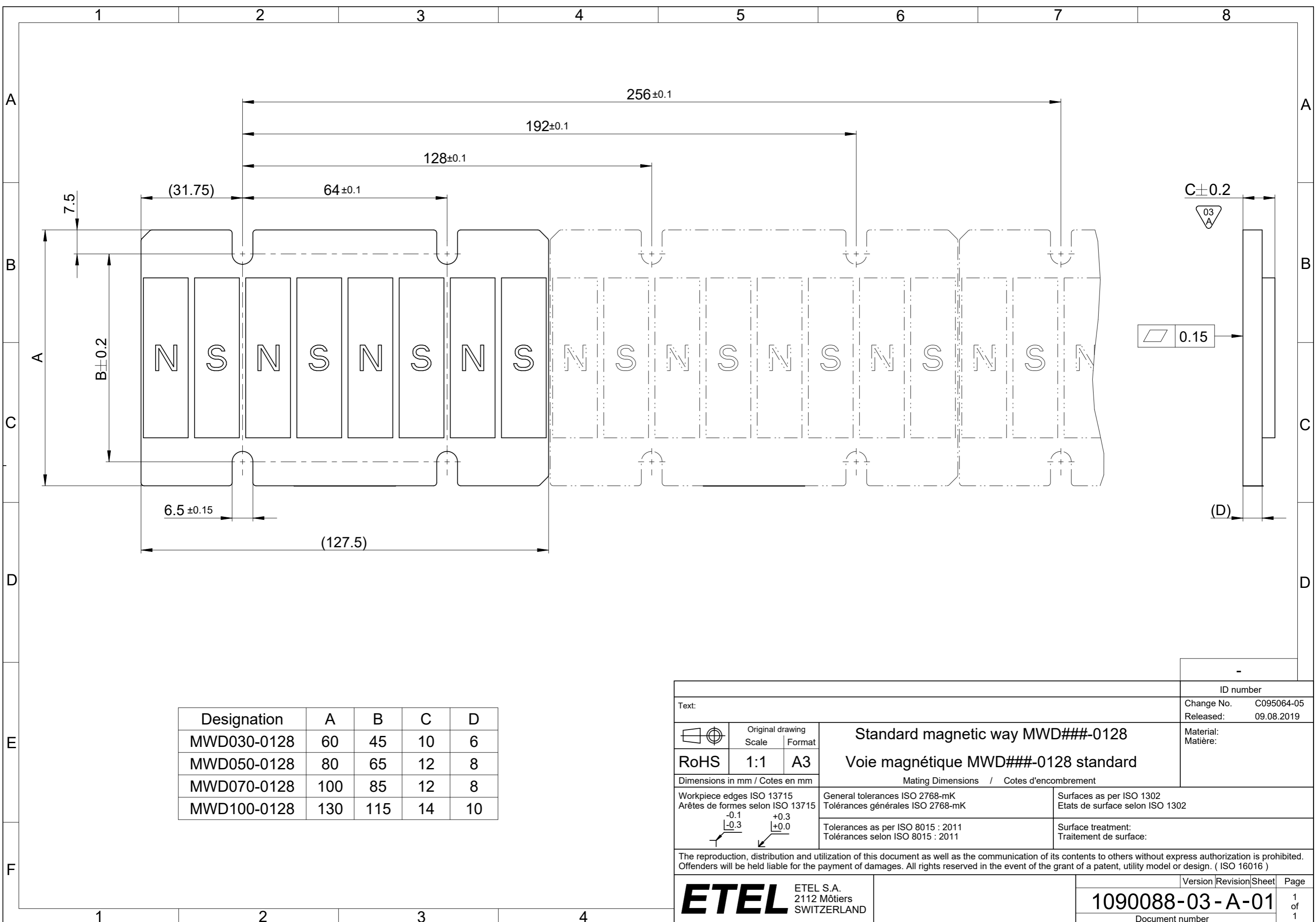


	A	B1	C	D	E	F	G	H	J
LMG05-030	0	0.1	30	66	95	1	34	4	20,5
LMG05-050			50	86		2	36	6	30,5
LMG05-070			70	106		3	36	8	40,5
LMG10-030	1	0.1	30	66	175	1	34	8	20,5
LMG10-050			50	86		2	36	12	30,5
LMG10-070			70	106		3	36	16	40,5
LMG10-100	2	0.1	100	136	255	4	38	20	55,5
LMG15-030			30	66		1	34	12	20,5
LMG15-050			50	86		2	36	18	30,5
LMG15-070	3	0.1	70	106	335	3	36	24	40,5
LMG15-100			100	136		4	38	30	55,5
LMG20-050			50	86		2	36	24	30,5
LMG20-070	3	0.1	70	106	335	3	36	32	40,5
LMG20-100			100	136		4	38	40	55,5

ISO 10579-NR
 Restraint conditions for the flatness B1: the surface indicated as datum Z is fixed on an ENAW-6082 aluminium plate, thickness 25mm with H bolt M3x30 ISO 4762 quality A2-70 tightened to a torque of 1.26 N·m
 For further interface plate design guidelines, please refer to the integration manual

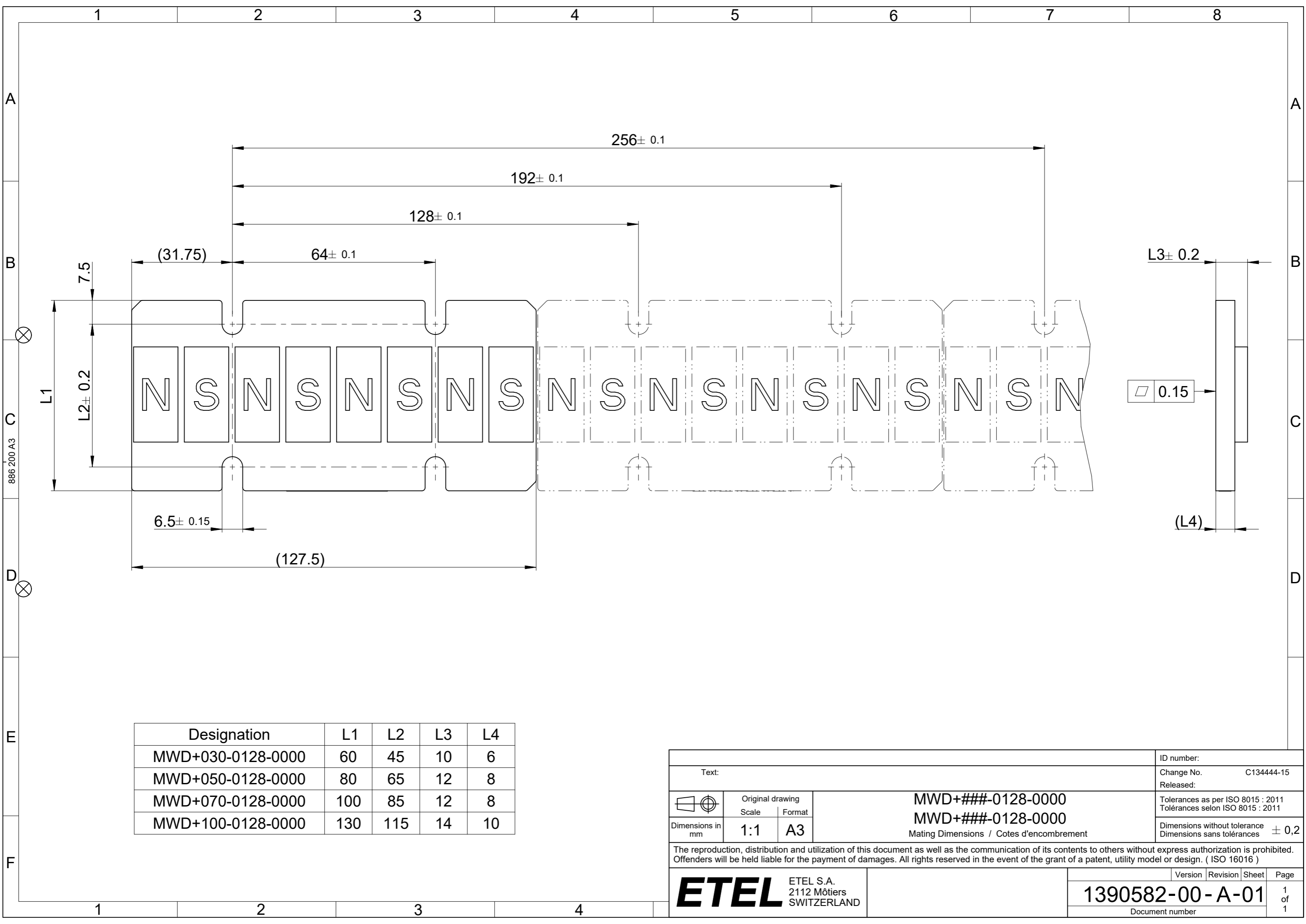


Text:			ID number
Original drawing Scale: 1:1 Format: A2			Change No. C115109-10 Released:
RoHS	Ironcore linear motor LMG###-###-3##-###		Material: Matière:
Dimensions in mm / Cotes en mm		Mating Dimensions / Cotes d'encombrement	
Workpiece edges ISO 13715 Arêtes de formes selon ISO 13715		General tolerances ISO 2768-mK Tolérances générales ISO 2768-mK	
Surfaces as per ISO 1302 Etats de surface selon ISO 1302		Surface treatment: Traitement de surface:	
The reproduction, distribution and utilization of this document as well as the communication of its contents to others without express authorization is prohibited. Offenders will be held liable for the payment of damages. All rights reserved in the event of the grant of a patent, utility model or design. (ISO 16016)			
ETEL S.A. 2112 Môtiers SWITZERLAND			Version/Revision/Sheet/ Page 1029546-05-A-01 Document number 1 of 1



Designation	A	B	C	D
MWD030-0128	60	45	10	6
MWD050-0128	80	65	12	8
MWD070-0128	100	85	12	8
MWD100-0128	130	115	14	10

Text:		Original drawing Scale: 1:1 Format: A3		Standard magnetic way MWD###-0128		ID number	
RoHS		Mating Dimensions / Cotes d'encombrement		Voie magnétique MWD###-0128 standard		Change No. C095064-05 Released: 09.08.2019	
Dimensions in mm / Cotes en mm		Workpiece edges ISO 13715 Arêtes de formes selon ISO 13715		General tolerances ISO 2768-mK Tolérances générales ISO 2768-mK		Material: Matière:	
-0.1 +0.3 -0.3 +0.0		Surfaces as per ISO 1302 Etats de surface selon ISO 1302		Tolerances as per ISO 8015 : 2011 Tolérances selon ISO 8015 : 2011		Surface treatment: Traitement de surface:	
The reproduction, distribution and utilization of this document as well as the communication of its contents to others without express authorization is prohibited. Offenders will be held liable for the payment of damages. All rights reserved in the event of the grant of a patent, utility model or design. (ISO 16016)							
ETEL ETEL S.A. 2112 Môtiers SWITZERLAND				Version		Revision	Sheet
				1090088-03-A-01		1	1
				Document number			



Text:		Original drawing		MWD+###-0128-0000		ID number:	
		Scale		MWD+###-0128-0000		Change No. C134444-15	
		Format		Mating Dimensions / Cotes d'encombrement		Released:	
Dimensions in mm		1:1	A3			Tolerances as per ISO 8015 : 2011 Tolérances selon ISO 8015 : 2011	
						Dimensions without tolerance ± 0,2 Dimensions sans tolérances	
The reproduction, distribution and utilization of this document as well as the communication of its contents to others without express authorization is prohibited. Offenders will be held liable for the payment of damages. All rights reserved in the event of the grant of a patent, utility model or design. (ISO 16016)							
ETEL ETEL S.A. 2112 Môtiers SWITZERLAND				Version		Revision	Sheet
				1390582-00-A-01		1	Page
				Document number		1	of
						1	1